

Fan coil units with centrifugal fan

ESTRO 1 - 11 kW



JONIX
pure living



PLUS

- » 3 - 6 speed motor
- » ABS centrifugal fans
- » Can be integrated into GARDA supervision system
- » Heat exchanger up to 4 rows
- » Reversible water connections
- » Steel cabinet / ABS
- » Incorporable JONIX sanitizing module

The most complete range of fan coil units on the market featuring the Galletti technology, quality level and reliability.

The ESTRO series is undoubtedly the line of fan coil units with the most complete range of models and accessories that are able to meet the needs of professionals in the field.

The range consists of 20 models in 9 versions.

For the ESTRO project we selected top quality materials which, together with the great care and attention dedicated to the assembly of the main constructive components, make the ESTRO fan coil units highly reliable from a performance standpoint while minimising noise levels.

The conception underlying the ESTRO series construction makes it possible to combine models for vertical and horizontal installation: models for surface mounting on walls, floors/ceilings and recess mounting in walls/ceilings plus low body model for floor installation.

In its recess-mounted ductable version, ESTRO has a number of accessories that permit quick and economical installation with flexible ducts directly coupled with air diffusion grilles.

ESTRO can be combined with a range of on-board or wall-mounted control panels consisting of 20 options, depending on the level of comfort and adjustment required.

An innovative air ionization system ensures the sanitization of the indoor unit and the deodorization of the ambient air.



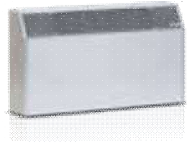
AVAILABLE VERSIONS



ESTRO FL

Version with cabinet, suitable for wall mounting. Vertical air flow, filter on the air intake securely attached to the cabinet with quarter-turn screws.

ESTRO FL is available in 20 models.



ESTRO FA

Wall mounted with cabinet. The inclined front air flow makes the ESTRO FA version especially suited for installation in recesses up to a depth of 150 mm.

ESTRO FA is available in 19 models.



ESTRO CL

Wall mounted with cabinet, vertical air flow. Designed with a range of pastel shades, it combines well with traditional furnishings and all architectures in which the warm colours and elegant shapes make ESTRO CL a perfect interior design accessory. Steel sheet panel colour: RAL 9001. ABS parts colour: PANTONE "warm gray 2 U"

ESTRO CL is available in 20 models.



ESTRO FU

Version with cabinet, suitable for floor and ceiling mounting. The cabinet has air outlet grilles and air intake grilles with built-in filter.

ESTRO FU is available in 20 models.



ESTRO FP

Version with cabinet, suitable for ceiling mounting. The air intake is located behind the air outlet grilles. This version is especially suitable if combining with external air intake louvers.

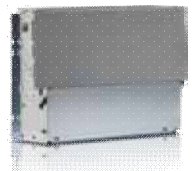
ESTRO FP is available in 20 models.



ESTRO FB

Low-cabinet version, suitable for floor and ceiling mounting. The cabinet has air outlet grilles and air intake grilles with built-in filter. Rearranging the internal components has made it possible to reduce its height to just 438 mm.

ESTRO FB is available in 9 models.



ESTRO FC

Model for vertical and horizontal recess mounting, air intake in line with the outlet, thermally insulated galvanised sheet steel body. Plenum and connectors complete the air intake and the air flow into the room.

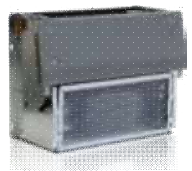
ESTRO FC is available in 20 models.



ESTRO FF

Model for vertical and horizontal recess mounting, front air intake, thermally insulated galvanised sheet steel body. The front air intake allows horizontal or floor recessed installation with direct intake from the false-ceiling.

ESTRO FF is available in 20 models.



ESTRO FBC

Low-cabinet version for vertical and horizontal recess mounting, front air intake with air filter, thermally insulated galvanised sheet steel body. Rearranging the strategic components has made it possible to reduce its height to just 412 mm.

ESTRO FBC is available in 9 models.

Hydraulic indoor units ESTRO

MAIN COMPONENTS

Cabinet

Composed of a painted steel sheet panel, side panels, air outlet grille (swinging by 180°) and back suction grille built from ABS. Round shapes and colours that can satisfy all interior decorating needs, in line with architectural requirements.



Structure

Built from galvanised steel sheet of extra thickness, heat and sound insulated by means of Class 1 self-extinguishing panels. FU, FB, FC, FF and FBC versions have a double drip tray for collecting condensate.

Heat exchanger

High efficiency heat exchanger made with copper piping and aluminium fins, provided with brass manifolds and vent valve. The water connections are reversible at the time of installation. On request it is possible to mount an additional heat exchanger for 4-pipe systems.

Electric motor

It is mounted on vibration dampers, with permanently activated capacitor and thermal protection of the windings, and is directly coupled with the fans. It is available as either a 3- or 6-speed version in order to meet all the specific needs of performance, quietness, and power consumption.

Fans

Double suction centrifugal fans, statically and dynamically balanced, manufactured from anti-static ABS, with blades having an airfoil section and offset modules. The fans are housed in a low-noise ABS volute with high-efficiency profile.



Air filter

Honey-comb polypropylene washable air filter, easily removable for maintenance operations. On FU version the air filters are fitted onto the air inlet grille.

CONFIGURATOR

The models are completely configurable by selecting the version and the options. To the right is shown an example of configuration.

| Version | Field | 1 | 2 | 3 | 4 | 5 | 6 | 7 | 8 | 9 | 10 | 11 |
|---------|-------|---|---|---|---|---|---|---|---|---|----|----|
| EF03 | | L | 0 | M | 0 | 1 | E | 0 | 0 | 0 | 0 | A |

EF Product type ESTRO; 03 Size
To verify the compatibility of the options, use the selection software or the price list.

CONFIGURATOR

1 Version

- A A - Wall mounted with cabinet
- B B - Wall installation with low-body cabinet
- C C - Recessed installation
- F F - Recessed installation
- G BC - Low-body recessed installation
- L L - Wall mounted with cabinet
- O CLASSIC - Wall installation with cabinet
- P P - Ceiling installation with cabinet
- U U - Wall and ceiling installation with cabinet

2 Motor

- O 3-speed motor
- G Electric fan with GreenTech BLDC motor
- I BLDC motor
- P 6 speed motor

3 Main coil hydraulic side

- L Water connections on the left side
- M Water connections on the left side - 4 rows
- R Water connections on the right
- S Water connections on the right side - 4 rows

4 Additional coil hydraulic side / heating element

- O Absent
- E RE - Electrical heating elements
- L Water connections on the left side
- R Water connections on the right

5 Valve

- O Absent
- 1 VKS - 3 ways valve - 230 V - ON/OFF - complete hydraulic kit
- 2 KV - 2 ways valve - 230 V - ON/OFF
- 3 VKMS - 3 ways valve - 24 V - MODULATING - complete hydraulic kit
- 4 KVM - 2 ways valve - 24 V - MODULATING
- 5 VKS24 - 3 way valve - 24 V - ON/OFF - complete hydraulic kit
- 6 KV24 - 2 way valve - 24 V - ON/OFF
- A VKSND - 3 way valve - 230 V - ON/OFF - hydraulic kit on coil side
- B VKMSND - 3 ways valve - 24 V - MODULATING - hydraulic kit on coil side
- C VKS24ND - 3 ways valve - 24 V - ON/OFF - hydraulic kit on coil side
- H VPIK - 2-way valve - pressure independent - 230 V - ON/OFF
- I VPIKM - 2-way valve - pressure independent - 24 V - MODULATING

6 Control panel

- O Absent
- 1 CB - On-board speed selector
- 2 TB - Speed selector and thermostat
- 3 TIB - Speed selector, thermostat and S/W selecting switch
- 4 TED 2T - microprocessor control for 2 pipes
- 5 TED 4T - microprocessor control for 4 pipes
- 6 TED 10 - microprocessor control for BLDC
- A MCBE - My comfort base
- B MCME - My comfort medium
- C MCLE - My comfort large
- D LED 503
- E EVOBOARD - Circuit board
- F EVO BOARD+EVO DISP - (Circuit board + display)
- G EVOBOARD circuit board + NAVEL Wi-Fi module

7 Probes

- O Absent
- 1 SA - Remote air probe for MYCOMFORT, LED503 and EVO
- 2 SW - Water probe for MYCOMFORT, LED503 and EVO
- 3 SU - Humidity probe for MYCOMFORT and EVO
- 4 SA+SW - Remote air and water probes for MYCOMFORT, LED503 and EVO
- 5 SA+SU - Remote air and humidity probes for MYCOMFORT and EVO
- 6 SA+SU+SW - Remote air, water, humidity probes for MYCOMFORT and EVO
- A TC - Thermostat for minimum water temperature
- B SA - Remote air probe for TED
- C SW - Water probe for TED
- D SA + SW - Air and water probes for TED

8 Accessories

- O Absent
- 2 JONIX
- 4 BV - Auxiliary drip tray
- 5 BH - Auxiliary drip tray
- 6 GIVK - Insulating shell

9 Filter

- O Standard filter air

10 Release

- O O
- A A

CONTROL PANELS

Electromechanical control panels

| | |
|-----------|--|
| CB | On-board speed switch |
| CD | Recess wall-mounted speed switch |
| TB | On-board speed thermostat and switch |
| TC | Thermostat for minimum water temperature in heating mode (42 °C) |

Electronic microprocessor control panels with display

| | |
|-----------------|--|
| DIST | MY COMFORT controller spacer for wall mounting |
| E2TK | Touch screen 2.8" user panel for EVO control EVO-2-TOUCH, frame in aluminium color black RAL9005 |
| E2TY | Touch screen 2.8" user panel for EVO control EVO-2-TOUCH, frame in natural brushed aluminium |
| EVOBOARD | Circuit board for EVO control |
| EVODISP | User interface with display for EVO controller |
| EYNAVEL | Device for Wi-Fi or Bluetooth communication between EVOBOARD and smartphone |
| KBESTE | MY COMFORT on-board installation kit for ESTRO |

| | |
|---------------|---|
| KL | LED503 on-board controller installation kit for ESTRO |
| LED503 | Recessed wall-mounted electronic display controller LED 503 |
| MCBE | MYCOMFORT BASE electronic controller with display |
| MCLE | Microprocessor control with display MY COMFORT LARGE |
| MCME | MYCOMFORT MEDIUM electronic controller with display |
| MCSUE | Humidity sensor for MY COMFORT (medium e large), EVO |
| MCSWE | Water sensor for MYCOMFORT and EVO controllers |

Electronic microprocessor control panels

| | |
|----------------|--|
| KB A | On-board ESTRO FA installation kit suitable for TED controller |
| KB L DX | On-board ESTRO FL/FU/FB installation kit on the right side suitable for TED controller |
| KB L SX | On-board ESTRO FL/FU/FB installation kit on the left side suitable for TED controller |
| TED 2T | Electronic controller for AC fan control and one ON/OFF 230 V valve |
| TED 4T | Electronic controller for AC fan control and two ON/OFF 230 V valves |
| TED SWA | Water temperature sensor for TED controls |

ACCESSORIES

Power interface and regulating louver controllers

| | |
|------------|---|
| CSB | On-board controller for opening and closing the motor-driven regulating louver |
| CSD | Recess mounted controller for opening and closing the SM motor-driven regulating louver |
| KP | Power interface for connecting in parallel up to 4 fan coil units to the one controller |

Additional heat exchanger for 4-pipe systems

| | |
|-----------|--|
| DF | 1-row additional heat exchanger for 4-pipe systems (not suitable for ESTRO "M" models) |
|-----------|--|

Auxiliary water drip trays, insulating shell, condensate drainage pump

| | |
|--------------|--|
| BH | Auxiliary water drip tray for horizontal installation fan coil units |
| BV | Auxiliary water drip tray for vertical installation fan coil units |
| GIVKL | Insulating shell for VKS valve, water connections on the left |
| GIVKR | Insulating shell for VKS valve, water connections on the right |
| KSC | Condensate drainage pump kit |

Base and enclosure elements

| | |
|------------|--|
| D | Support elements for ESTRO FC |
| ZA | Pair of support covering elements with front grille for ESTRO FA |
| ZAG | Pair of support covering elements for ESTRO FA |
| ZC | Pair of support covering elements for ESTRO CL |
| ZCG | Pair of support covering elements for ESTRO CL |
| ZL | Pair of support covering elements for ESTRO FL |
| ZLG | Pair of support covering elements with front grille for ESTRO FL |

Rear covering panels

| | |
|-----------|---|
| PH | Rear painted panel for horizontal installation with cabinet |
| PV | Rear painted panel for vertical installation with cabinet |

Electrical heating elements

| | |
|-----------|---|
| RE | Heating element with installation kit, relay box and safety devices |
|-----------|---|

Air inlet and outlet grilles

| | |
|------------|---|
| GE | Aluminium external air intake grille with subframe |
| GEF | Aluminium external air intake grille with subframe and air filter |
| GM | Aluminium air outlet grille with 2-row fins and subframe |
| RGC | Plenum with circular collars for air outlet grille |

Plenum and connectors

| | |
|---------------|---|
| RA90 | Angular inlet connector |
| RAD | Straight inlet connector |
| RADC | Air inlet plenum with circular collars |
| RM90 | Angular outlet connector |
| RM90C | Angular outlet insulated connector |
| RMCD | Straight outlet insulated connector |
| RMCD C | Air outlet plenum with circular collars |
| RMD | Straight outlet connector |

External air intake louvers

| | |
|----------|-----------------------------------|
| S | Manual external air intake louver |
|----------|-----------------------------------|

| | |
|------------|--|
| SM | Motor-driven louver, with motor on the right with transformer |
| SM | Motor-driven louver, with motor on the left with transformer |
| SMC | Motor driven louver, with motor on the right, with transformer |
| SMC | Motor driven louver, with motor on the left, with transformer |

Valves

| | |
|-----------------|--|
| KV | 2-way valve, ON/OFF actuator, hydraulic kit on water connection side for main heat exchanger |
| KV24 | 2-way valve, ON/OFF actuator, 24V power supply, hydraulic kit on water connection side for main heat exchanger |
| KV24DF | 2-way valve, ON/OFF actuator, 24V power supply, hydraulic kit on water connection side for main and additional heat exchanger |
| KVDF | 2-way valve, ON/OFF actuator, 230 V power supply, hydraulic kit on water connection side for main and additional heat exchanger |
| KVM | 2-way valve, MODULATING actuator, 24 V power supply, hydraulic kit on water connection side for main heat exchanger |
| KVMDF | 2-way valve, MODULATING actuator, 24 V power supply, hydraulic kit on water connection side for main and additional heat exchanger |
| VKDF | 3-way valve, ON/OFF actuator, 230 V power supply, complete hydraulic kit for additional heat exchanger |
| VKDF24 | 3-way valve, ON/OFF actuator, 24V power supply, complete hydraulic kit for additional heat exchanger |
| VKDF24ND | 3-way valve, ON/OFF actuator, 24V power supply, hydraulic kit without holder, for additional heat exchanger |
| VKDFND | 3-way valve, ON/OFF actuator, 230 V power supply, hydraulic kit without holder, for additional heat exchanger |
| VKDF | 3-way valve, MODULATING actuator, 24 V power supply, complete hydraulic kit for additional heat exchanger |
| VKDFND | 3-way valve, MODULATING actuator, 24 V power supply, hydraulic kit without holder, for additional heat exchanger |
| VKMS | 3-way valve, MODULATING actuator, 24 V power supply, complete hydraulic kit for main heat exchanger |
| VKMSND | 3-way valve, MODULATING actuator, 24 V power supply, hydraulic kit without holder, for main heat exchanger |
| VKS | 3-way valve, ON/OFF actuator, 1230 V power supply, complete hydraulic kit for main heat exchanger |
| VKS24 | 3-way valve, ON/OFF actuator, 24V power supply, complete hydraulic kit for main heat exchanger |
| VKS24ND | 3-way valve, ON/OFF actuator, 24V power supply, hydraulic kit without holder, for main heat exchanger |
| VKSND | 3-way valve, ON/OFF actuator, 230 V power supply, hydraulic kit without holder, for main heat exchanger |
| VPIC | 2-way valves pressure independent, ON/OFF or MODULATING actuator, 230 V or 24 V power supply, hydraulic kit, for main heat exchanger |

Sanitisation system

| | |
|-------------------------|---|
| JONIX - on board | Sanitizing module JONIX for on-board installation |
|-------------------------|---|

Hydraulic indoor units ESTRO

2 PIPES - RATED TECHNICAL DATA

| ESTRO | | | 1 | | | 2 | | | 3 | | | 4 | | |
|---------------------------|--------|-------------------|------|------|------|------|------|------|------|------|------|------|------|------|
| Speed | | | min | med | max | min | med | max | min | med | max | min | med | max |
| Total cooling capacity | (1)(E) | kW | 0,75 | 0,90 | 1,12 | 1,02 | 1,21 | 1,50 | 1,24 | 1,48 | 1,69 | 1,34 | 1,66 | 1,91 |
| Sensible cooling capacity | (1)(E) | kW | 0,57 | 0,68 | 0,84 | 0,77 | 0,94 | 1,16 | 0,93 | 1,10 | 1,25 | 0,98 | 1,20 | 1,37 |
| FCEER class | (E) | | E | | | | | | | | | | | |
| Water flow | (2) | l/h | 129 | 155 | 193 | 176 | 208 | 258 | 214 | 255 | 291 | 231 | 286 | 329 |
| Water pressure drop | (2)(E) | kPa | 4 | 5 | 7 | 7 | 9 | 13 | 8 | 11 | 14 | 7 | 10 | 13 |
| Heating capacity | (3)(E) | kW | 0,95 | 1,11 | 1,32 | 1,21 | 1,48 | 1,82 | 1,45 | 1,72 | 1,84 | 1,50 | 1,81 | 2,15 |
| FCCOP class | (E) | | E | | | | | | | | | | | |
| Water flow | (3) | l/h | 164 | 191 | 227 | 208 | 255 | 313 | 250 | 296 | 317 | 258 | 312 | 370 |
| Water pressure drop | (3)(E) | kPa | 5 | 6 | 8 | 8 | 11 | 15 | 9 | 12 | 14 | 6 | 9 | 12 |
| Rated air flow | | m ³ /h | 127 | 189 | 231 | 167 | 233 | 319 | 210 | 271 | 344 | 214 | 271 | 344 |
| Power input | (E) | W | 18 | 21 | 32 | 21 | 28 | 37 | 25 | 36 | 53 | 24 | 36 | 53 |
| Total sound power level | (4)(E) | dB(A) | 30 | 32 | 40 | 37 | 42 | 47 | 38 | 44 | 49 | 40 | 44 | 50 |

| ESTRO | | | 4M | | | 5 | | | 6 | | | 6M | | |
|---------------------------|--------|-------------------|------|------|------|------|------|------|------|------|------|------|------|------|
| Speed | | | min | med | max | min | med | max | min | med | max | min | med | max |
| Total cooling capacity | (1)(E) | kW | 1,48 | 1,81 | 2,19 | 1,57 | 1,99 | 2,36 | 1,73 | 2,34 | 2,87 | 1,90 | 2,60 | 3,23 |
| Sensible cooling capacity | (1)(E) | kW | 1,04 | 1,28 | 1,55 | 1,15 | 1,53 | 1,82 | 1,23 | 1,66 | 2,05 | 1,30 | 1,79 | 2,24 |
| FCEER class | (E) | | D | | | E | | | D | | | D | | |
| Water flow | (2) | l/h | 255 | 312 | 377 | 270 | 343 | 406 | 298 | 403 | 494 | 327 | 448 | 556 |
| Water pressure drop | (2)(E) | kPa | 10 | 14 | 20 | 8 | 12 | 16 | 6 | 9 | 13 | 7 | 12 | 17 |
| Heating capacity | (3)(E) | kW | 1,53 | 1,88 | 2,29 | 1,74 | 2,26 | 2,70 | 1,76 | 2,37 | 2,94 | 1,94 | 2,68 | 3,37 |
| FCCOP class | (E) | | E | | | | | | | | | | | |
| Water flow | (3) | l/h | 263 | 324 | 394 | 300 | 389 | 465 | 303 | 408 | 506 | 334 | 461 | 580 |
| Water pressure drop | (3)(E) | kPa | 9 | 12 | 17 | 8 | 12 | 17 | 5 | 8 | 11 | 6 | 10 | 15 |
| Rated air flow | | m ³ /h | 211 | 271 | 344 | 267 | 341 | 442 | 293 | 341 | 442 | 241 | 341 | 442 |
| Power input | (E) | W | 30 | 45 | 66 | 29 | 44 | 57 | 29 | 43 | 56 | 29 | 43 | 56 |
| Total sound power level | (4)(E) | dB(A) | 41 | 45 | 51 | 35 | 43 | 48 | 36 | 42 | 48 | 35 | 43 | 49 |

| ESTRO | | | 7 | | | 7M | | | 8 | | | 8M | | |
|---------------------------|--------|-------------------|------|------|------|------|------|------|------|------|------|------|------|------|
| Speed | | | min | med | max | min | med | max | min | med | max | min | med | max |
| Total cooling capacity | (1)(E) | kW | 1,94 | 2,58 | 3,45 | 2,44 | 3,33 | 4,48 | 2,47 | 3,21 | 4,23 | 2,74 | 3,64 | 4,86 |
| Sensible cooling capacity | (1)(E) | kW | 1,41 | 1,99 | 2,69 | 1,69 | 2,31 | 3,12 | 1,76 | 2,39 | 3,05 | 1,90 | 2,53 | 3,40 |
| FCEER class | (E) | | E | | | D | | | D | | | D | | |
| Water flow | (2) | l/h | 334 | 444 | 594 | 420 | 573 | 771 | 425 | 553 | 728 | 472 | 627 | 837 |
| Water pressure drop | (2)(E) | kPa | 4 | 7 | 12 | 6 | 11 | 18 | 5 | 8 | 12 | 7 | 12 | 20 |
| Heating capacity | (3)(E) | kW | 2,39 | 3,13 | 4,05 | 2,51 | 3,40 | 4,57 | 2,47 | 3,24 | 4,24 | 2,80 | 3,70 | 4,95 |
| FCCOP class | (E) | | E | | | | | | | | | | | |
| Water flow | (3) | l/h | 412 | 539 | 697 | 432 | 585 | 787 | 425 | 558 | 730 | 482 | 637 | 852 |
| Water pressure drop | (3)(E) | kPa | 5 | 8 | 13 | 5 | 9 | 15 | 4 | 6 | 10 | 6 | 10 | 17 |
| Rated air flow | | m ³ /h | 331 | 450 | 640 | 320 | 450 | 640 | 420 | 497 | 706 | 361 | 497 | 706 |
| Power input | (E) | W | 40 | 50 | 65 | 37 | 61 | 98 | 38 | 61 | 98 | 38 | 61 | 98 |
| Total sound power level | (4)(E) | dB(A) | 35 | 43 | 52 | 36 | 44 | 53 | 35 | 43 | 53 | 36 | 44 | 54 |

(1) Water temperature 7°C / 12°C, air temperature dry bulb 27°C, wet bulb 19°C (47% relative humidity) according to EN1397:2021

(2) Water temperature 7°C / 12°C, air temperature dry bulb 27°C, wet bulb 19°C (47% relative humidity)

(3) Water temperature 45°C / 40°C, air temperature 20°C

(4) Sound power measured according to standards ISO 3741 and ISO 3742

(E) EUROVENT certified data

Power supply 230-1-50 (V-ph-Hz)

2 PIPES - RATED TECHNICAL DATA

| ESTRO | | | 9 | | | 9M | | | 95 | | | 10 | | |
|---------------------------|--------|-------------------|------|------|------|------|------|------|------|------|------|------|------|------|
| Speed | | | min | med | max | min | med | max | min | med | max | min | med | max |
| Total cooling capacity | (1)(E) | kW | 2,95 | 3,59 | 4,41 | 3,47 | 4,30 | 5,30 | 3,37 | 4,12 | 5,15 | 3,88 | 5,14 | 6,53 |
| Sensible cooling capacity | (1)(E) | kW | 2,27 | 2,85 | 3,55 | 2,42 | 3,00 | 3,72 | 2,29 | 2,93 | 3,72 | 2,75 | 3,70 | 4,73 |
| FCEER class | (E) | | D | | | D | | | D | | | E | | |
| Water flow | (2) | l/h | 508 | 618 | 759 | 598 | 740 | 913 | 580 | 709 | 887 | 668 | 885 | 1124 |
| Water pressure drop | (2)(E) | kPa | 7 | 10 | 14 | 11 | 16 | 24 | 10 | 14 | 21 | 5 | 9 | 12 |
| Heating capacity | (3)(E) | kW | 3,31 | 4,08 | 4,98 | 3,53 | 4,37 | 5,39 | 3,52 | 4,32 | 5,49 | 3,97 | 5,17 | 6,49 |
| FCCOP class | (E) | | E | | | | | | | | | | | |
| Water flow | (3) | l/h | 570 | 703 | 858 | 608 | 753 | 928 | 606 | 744 | 945 | 684 | 890 | 1118 |
| Water pressure drop | (3)(E) | kPa | 7 | 10 | 14 | 10 | 14 | 20 | 8 | 12 | 18 | 4 | 7 | 10 |
| Rated air flow | | m ³ /h | 527 | 605 | 785 | 470 | 605 | 785 | 601 | 615 | 814 | 661 | 771 | 1011 |
| Power input | (E) | W | 47 | 68 | 98 | 47 | 68 | 98 | 52 | 73 | 107 | 86 | 127 | 182 |
| Total sound power level | (4)(E) | dB(A) | 43 | 49 | 56 | 44 | 50 | 57 | 44 | 51 | 58 | 47 | 54 | 61 |

| ESTRO | | | 10M | | | 11 | | | 11M | | | 12 | | |
|---------------------------|--------|-------------------|------|------|------|------|------|------|------|------|------|------|------|------|
| Speed | | | min | med | max | min | med | max | min | med | max | min | med | max |
| Total cooling capacity | (1)(E) | kW | 4,32 | 5,69 | 7,20 | 4,00 | 6,07 | 7,78 | 4,55 | 6,81 | 8,74 | 6,76 | 8,53 | 10,7 |
| Sensible cooling capacity | (1)(E) | kW | 2,98 | 3,93 | 4,99 | 2,94 | 4,46 | 5,72 | 3,18 | 4,78 | 6,15 | 4,91 | 6,22 | 7,76 |
| FCEER class | (E) | | E | | | | | | | | | | | |
| Water flow | (2) | l/h | 744 | 980 | 1240 | 689 | 1045 | 1340 | 784 | 1173 | 1505 | 1164 | 1469 | 1841 |
| Water pressure drop | (2)(E) | kPa | 8 | 14 | 21 | 6 | 13 | 20 | 9 | 19 | 29 | 14 | 22 | 32 |
| Heating capacity | (3)(E) | kW | 4,28 | 5,56 | 6,96 | 4,39 | 6,53 | 8,37 | 4,75 | 7,02 | 9,00 | 7,45 | 9,29 | 12,2 |
| FCCOP class | (E) | | E | | | | | | | | | | | |
| Water flow | (3) | l/h | 737 | 957 | 1199 | 756 | 1124 | 1441 | 818 | 1209 | 1550 | 1283 | 1600 | 2101 |
| Water pressure drop | (3)(E) | kPa | 7 | 11 | 16 | 6 | 12 | 18 | 8 | 16 | 25 | 14 | 20 | 33 |
| Rated air flow | | m ³ /h | 570 | 771 | 1011 | 682 | 1022 | 1393 | 642 | 1022 | 1393 | 1154 | 1317 | 1850 |
| Power input | (E) | W | 86 | 127 | 182 | 109 | 169 | 244 | 109 | 169 | 244 | 210 | 240 | 310 |
| Total sound power level | (4)(E) | dB(A) | 48 | 55 | 62 | 49 | 60 | 67 | 50 | 61 | 68 | 60 | 64 | 71 |

- (1) Water temperature 7°C / 12°C, air temperature dry bulb 27°C, wet bulb 19°C (47% relative humidity) according to EN1397:2021
(2) Water temperature 7°C / 12°C, air temperature dry bulb 27°C, wet bulb 19°C (47% relative humidity)
(3) Water temperature 45°C / 40°C, air temperature 20°C
(4) Sound power measured according to standards ISO 3741 and ISO 3742
(E) EUROVENT certified data
Power supply 230-1-50 (V-ph-Hz)

Hydraulic indoor units ESTRO

4 PIPES - RATED TECHNICAL DATA

| ESTRO | | | 1 | | | 2 | | | 3 | | | 4 | | |
|---------------------------|--------|-------------------|------|------|------|------|------|------|------|------|------|------|------|------|
| Speed | | | min | med | max | min | med | max | min | med | max | min | med | max |
| Total cooling capacity | (1)(E) | kW | 0,74 | 0,88 | 1,10 | 0,97 | 1,11 | 1,42 | 1,22 | 1,44 | 1,64 | 1,24 | 1,52 | 1,74 |
| Sensible cooling capacity | (1)(E) | kW | 0,56 | 0,67 | 0,83 | 0,73 | 0,87 | 1,10 | 0,91 | 1,07 | 1,22 | 0,96 | 1,18 | 1,41 |
| FCEER class | (E) | | E | | | | | | | | | | | |
| Water flow | (2) | l/h | 127 | 152 | 189 | 167 | 191 | 245 | 210 | 248 | 282 | 214 | 262 | 300 |
| Water pressure drop | (2)(E) | kPa | 4 | 5 | 7 | 6 | 8 | 12 | 8 | 11 | 14 | 7 | 10 | 13 |
| Heating capacity | (3)(E) | kW | 1,18 | 1,31 | 1,49 | 1,31 | 1,49 | 1,66 | 1,36 | 1,56 | 1,76 | 1,36 | 1,56 | 1,76 |
| FCCOP class | (E) | | E | | | | | | | | | | | |
| Water flow | (3) | l/h | 102 | 113 | 128 | 113 | 128 | 143 | 117 | 134 | 152 | 117 | 134 | 152 |
| Water pressure drop | (3)(E) | kPa | 2 | 3 | 4 | 3 | 4 | 4 | 4 | 5 | 7 | 4 | 5 | 6 |
| Rated air flow | | m ³ /h | 146 | 184 | 226 | 174 | 225 | 307 | 205 | 261 | 330 | 205 | 261 | 327 |
| Power input | (E) | W | 18 | 21 | 32 | 21 | 28 | 37 | 25 | 36 | 53 | 24 | 36 | 53 |
| Total sound power level | (4)(E) | dB(A) | 30 | 32 | 40 | 33 | 39 | 45 | 40 | 44 | 49 | 38 | 44 | 50 |

| ESTRO | | | 5 | | | 6 | | | 7 | | |
|---------------------------|--------|-------------------|------|------|------|------|------|------|------|------|------|
| Speed | | | min | med | max | min | med | max | min | med | max |
| Total cooling capacity | (1)(E) | kW | 1,55 | 1,96 | 2,32 | 1,70 | 2,29 | 2,81 | 1,92 | 2,54 | 3,36 |
| Sensible cooling capacity | (1)(E) | kW | 1,14 | 1,50 | 1,79 | 1,21 | 1,62 | 2,01 | 1,40 | 1,96 | 2,61 |
| FCEER class | (E) | | E | | | D | | | E | | |
| Water flow | (2) | l/h | 267 | 338 | 400 | 293 | 394 | 484 | 331 | 437 | 579 |
| Water pressure drop | (2)(E) | kPa | 8 | 12 | 16 | 5 | 8 | 11 | 4 | 7 | 12 |
| Heating capacity | (3)(E) | kW | 1,78 | 2,18 | 2,53 | 1,88 | 2,31 | 2,68 | 2,82 | 3,47 | 4,20 |
| FCCOP class | (E) | | E | | | | | | | | |
| Water flow | (3) | l/h | 153 | 188 | 218 | 162 | 199 | 231 | 243 | 299 | 362 |
| Water pressure drop | (3)(E) | kPa | 2 | 3 | 3 | 2 | 3 | 4 | 8 | 12 | 16 |
| Rated air flow | | m ³ /h | 238 | 334 | 432 | 237 | 332 | 431 | 316 | 444 | 628 |
| Power input | (E) | W | 29 | 44 | 57 | 29 | 43 | 56 | 37 | 61 | 98 |
| Total sound power level | (4)(E) | dB(A) | 34 | 43 | 48 | 33 | 41 | 47 | 36 | 45 | 53 |

| ESTRO | | | 8 | | | 9 | | | 95 | | |
|---------------------------|--------|-------------------|------|------|------|------|------|------|------|------|------|
| Speed | | | min | med | max | min | med | max | min | med | max |
| Total cooling capacity | (1)(E) | kW | 2,44 | 3,17 | 4,16 | 3,06 | 3,74 | 4,57 | 3,49 | 4,27 | 5,31 |
| Sensible cooling capacity | (1)(E) | kW | 1,74 | 2,36 | 2,99 | 2,23 | 2,80 | 3,47 | 2,38 | 3,01 | 3,78 |
| FCEER class | (E) | | D | | | | | | | | |
| Water flow | (2) | l/h | 420 | 546 | 716 | 527 | 644 | 787 | 601 | 735 | 914 |
| Water pressure drop | (2)(E) | kPa | 5 | 7 | 12 | 7 | 10 | 14 | 10 | 14 | 20 |
| FCCOP class | (E) | | E | | | | | | | | |
| Heating capacity | (3)(E) | kW | 2,73 | 3,22 | 3,82 | 3,55 | 4,07 | 4,64 | 3,70 | 4,20 | 4,84 |
| Water flow | (3) | l/h | 235 | 277 | 329 | 306 | 350 | 400 | 319 | 362 | 417 |
| Water pressure drop | (3)(E) | kPa | 8 | 10 | 14 | 5 | 6 | 8 | 7 | 9 | 12 |
| Rated air flow | | m ³ /h | 356 | 490 | 690 | 460 | 593 | 763 | 478 | 603 | 792 |
| Power input | (E) | W | 38 | 61 | 98 | 47 | 68 | 98 | 52 | 73 | 107 |
| Total sound power level | (4)(E) | dB(A) | 39 | 46 | 56 | 48 | 53 | 58 | 46 | 52 | 59 |

| ESTRO | | | 10 | | | 11 | | | 12 | | |
|---------------------------|--------|-------------------|------|------|------|------|------|------|------|------|------|
| Speed | | | min | med | max | min | med | max | min | med | max |
| Total cooling capacity | (1)(E) | kW | 3,84 | 5,10 | 6,46 | 3,96 | 5,99 | 7,64 | 6,70 | 8,44 | 10,5 |
| Sensible cooling capacity | (1)(E) | kW | 2,73 | 3,67 | 4,67 | 2,91 | 4,40 | 5,61 | 4,86 | 6,15 | 7,63 |
| FCEER class | (E) | | E | | | | | | | | |
| Water flow | (2) | l/h | 661 | 878 | 1112 | 682 | 1031 | 1316 | 1154 | 1453 | 1806 |
| Water pressure drop | (2)(E) | kPa | 5 | 8 | 12 | 5 | 10 | 16 | 14 | 21 | 30 |
| FCCOP class | (E) | | E | | | | | | | | |
| Heating capacity | (3)(E) | kW | 5,02 | 6,02 | 6,97 | 4,85 | 6,29 | 7,35 | 6,93 | 8,01 | 9,52 |
| Water flow | (3) | l/h | 432 | 518 | 600 | 418 | 542 | 633 | 597 | 690 | 820 |
| Water pressure drop | (3)(E) | kPa | 14 | 19 | 24 | 14 | 22 | 29 | 24 | 31 | 42 |
| Rated air flow | | m ³ /h | 565 | 765 | 998 | 636 | 1007 | 1362 | 999 | 1300 | 1814 |
| Power input | (E) | W | 86 | 127 | 182 | 109 | 169 | 244 | 210 | 240 | 310 |
| Total sound power level | (4)(E) | dB(A) | 46 | 54 | 60 | 48 | 58 | 66 | 63 | 64 | 71 |

(1) Water temperature 7°C / 12°C, air temperature dry bulb 27°C, wet bulb 19°C (47% relative humidity) according to EN1397:2021

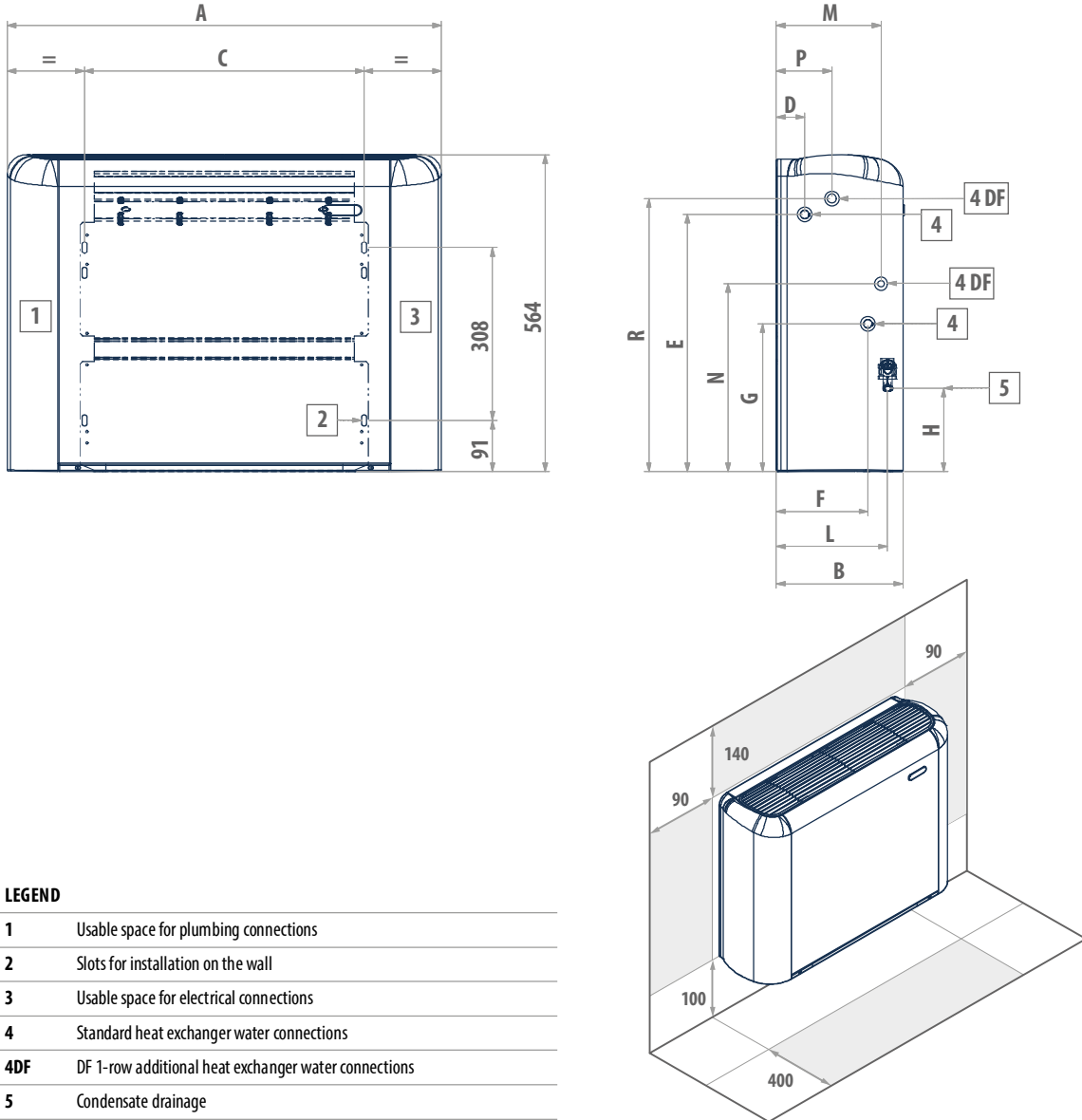
(2) Water temperature 7°C / 12°C, air temperature dry bulb 27°C, wet bulb 19°C (47% relative humidity)

(3) Water temperature 65°C / 55°C, air temperature 20°C

(4) Sound power measured according to standards ISO 3741 and ISO 3742

(E) EUROVENT certified data

DIMENSIONAL DRAWINGS

ESTRO FL - CL

LEGEND

| | |
|------------|--|
| 1 | Usable space for plumbing connections |
| 2 | Slots for installation on the wall |
| 3 | Usable space for electrical connections |
| 4 | Standard heat exchanger water connections |
| 4DF | DF 1-row additional heat exchanger water connections |
| 5 | Condensate drainage |

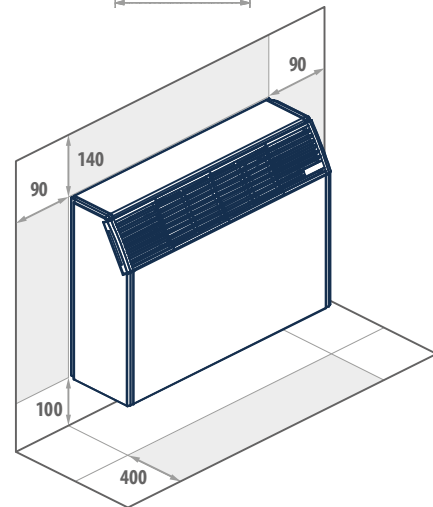
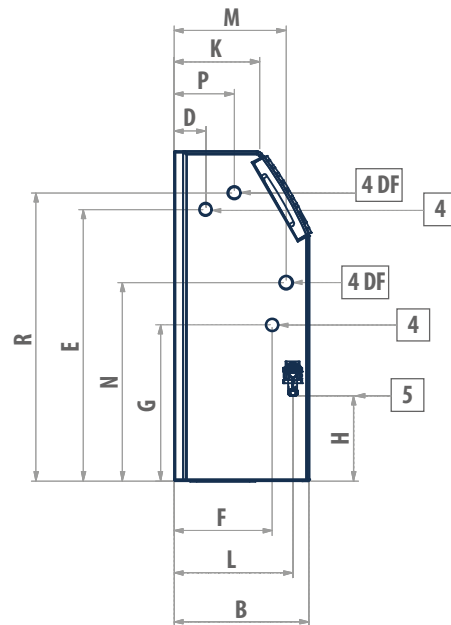
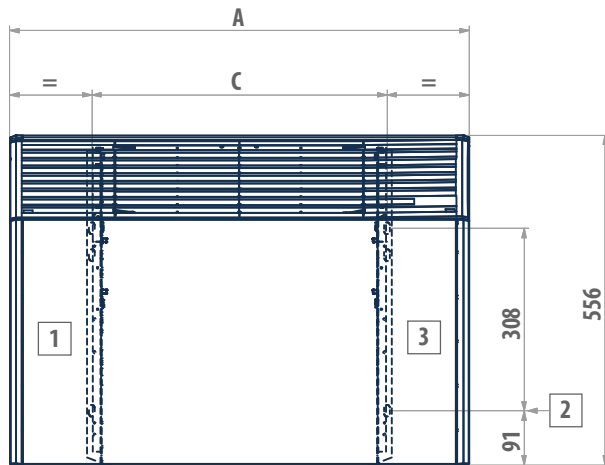
| ESTRO | 1 | 2 | 3 | 4 | 4M | 5 | 6 | 6M | 7 | 7M | 8 | 8M | 9 | 9M | 95 | 10 | 10M | 11 | 11M | 12 | |
|-------------------------------------|---|---|---|---|----|---|---|----|---|----|---|----|---|----|----|----|-----|----|-----|----|---|
| ON/OFF motor (3 speed) | x | x | x | x | x | x | x | x | x | x | x | x | x | x | x | x | x | x | x | x | x |
| ON/OFF motor (6 speed) | x | - | x | x | x | x | x | x | x | x | x | x | x | x | x | - | - | - | - | - | - |
| Inverter-controlled motor | x | - | x | x | x | x | x | x | x | - | x | - | x | x | x | - | - | x | x | - | - |
| GreenTech inverter-controlled motor | x | - | x | x | x | x | x | x | x | - | x | - | x | x | - | - | - | - | - | - | - |

x = available

| ESTRO | A | B | C | D | E | F | G | H | L | M | N | P | R | 4 | 4DF | 5 | |
|---------------------------------|------|-----|------|----|-----|-----|-----|-----|-----|-----|-----|-----|-----|-----|-----|----|----|
| | mm | mm | mm | mm | mm | mm | mm | mm | mm | mm | mm | mm | mm | " | " | mm | kg |
| 1 - 2 - 3 - 4 - 4M | 774 | 226 | 498 | 51 | 458 | 163 | 263 | 149 | 198 | 187 | 335 | 99 | 486 | 1/2 | 1/2 | 16 | 21 |
| 5 - 6 - 6M | 984 | 226 | 708 | 51 | 458 | 163 | 263 | 149 | 198 | 187 | 335 | 99 | 486 | 1/2 | 1/2 | 16 | 27 |
| 7 - 7M - 8 - 8M - 9 - 9M | 1194 | 226 | 918 | 51 | 458 | 163 | 263 | 149 | 198 | 187 | 335 | 99 | 486 | 1/2 | 1/2 | 16 | 33 |
| 95 | 1194 | 251 | 918 | 48 | 497 | 185 | 259 | 155 | 220 | 195 | 348 | 120 | 478 | 3/4 | 1/2 | 16 | 34 |
| 10 - 10M - 11 - 11M | 1404 | 251 | 1128 | 48 | 497 | 185 | 259 | 155 | 220 | 195 | 348 | 120 | 478 | 3/4 | 1/2 | 16 | 43 |
| 12 | 1614 | 251 | 1338 | 48 | 497 | 185 | 259 | 155 | 220 | 195 | 348 | 120 | 478 | 3/4 | 1/2 | 16 | 53 |

DIMENSIONAL DRAWINGS

ESTRO FA




LEGEND

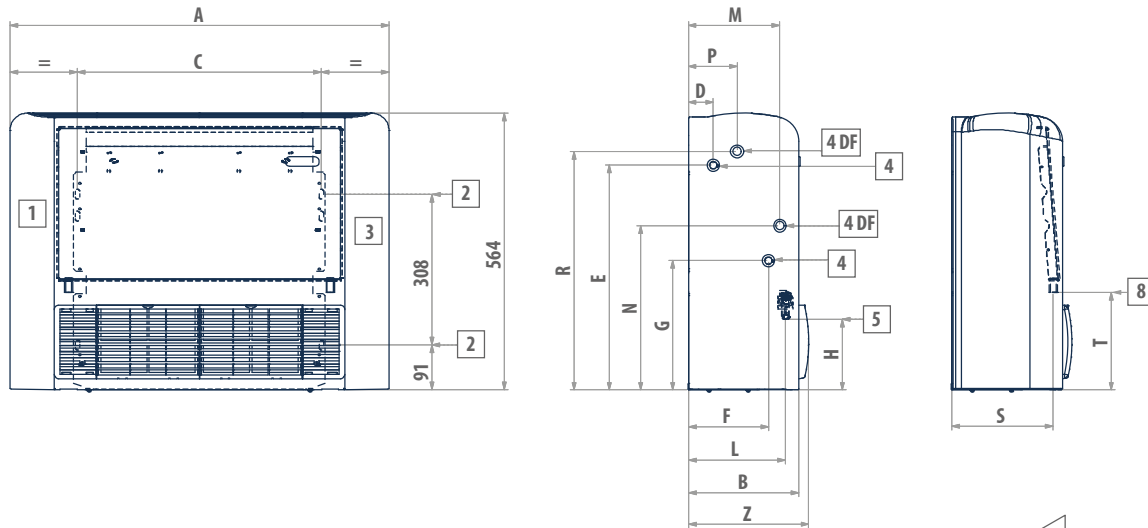
| | |
|-----|---|
| 1 | Usable space for plumbing connections |
| 2 | Slots for installation on the wall |
| 3 | Usable space for electrical connections |
| 4 | Standard heat exchanger water connections |
| 4DF | DF 1-row DF additional heat exchanger water connections |
| 5 | Condensate drainage |

| ESTRO FA | 1 | 2 | 3 | 4 | 4M | 5 | 6 | 6M | 7 | 7M | 8 | 8M | 9 | 9M | 10 | 10M | 11 | 11M | 12 | |
|-------------------------------------|---|---|---|---|----|---|---|----|---|----|---|----|---|----|----|-----|----|-----|----|---|
| ON/OFF motor (3 speed) | x | x | x | x | x | x | x | x | x | x | x | x | x | x | x | x | x | x | x | x |
| ON/OFF motor (6 speed) | x | - | x | x | x | x | x | x | x | x | x | x | x | x | - | - | - | - | - | - |
| Inverter-controlled motor | x | - | x | x | x | x | x | x | x | - | x | - | x | x | - | - | x | x | - | - |
| GreenTech inverter-controlled motor | x | - | x | x | x | x | x | x | x | - | x | - | x | x | - | - | - | - | - | - |

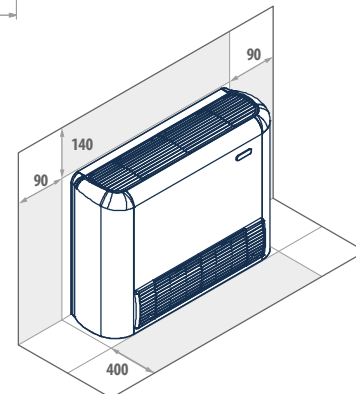
x = available

| ESTRO | A | B | C | D | E | F | G | H | K | L | M | N | P | R | 4 | 4DF | 5 |  |
|---------------------------------|------|-----|------|----|-----|-----|-----|-----|-----|-----|-----|-----|-----|-----|-----|-----|----|---|
| | mm | mm | mm | mm | mm | mm | mm | mm | mm | mm | mm | mm | mm | mm | " | " | mm | kg |
| 1 - 2 - 3 - 4 - 4M | 774 | 228 | 498 | 53 | 458 | 166 | 263 | 149 | 145 | 198 | 187 | 335 | 99 | 486 | 1/2 | 1/2 | 16 | 22 |
| 5 - 6 - 6M | 984 | 228 | 708 | 53 | 458 | 166 | 263 | 149 | 145 | 198 | 187 | 335 | 99 | 486 | 1/2 | 1/2 | 16 | 26 |
| 7 - 7M - 8 - 8M - 9 - 9M | 1194 | 228 | 918 | 53 | 458 | 166 | 263 | 149 | 145 | 198 | 187 | 335 | 99 | 486 | 1/2 | 1/2 | 16 | 32 |
| 10 - 10M - 11 - 11M | 1404 | 253 | 1128 | 50 | 497 | 188 | 259 | 155 | 170 | 220 | 195 | 348 | 120 | 478 | 3/4 | 1/2 | 16 | 42 |
| 12 | 1614 | 253 | 1338 | 50 | 497 | 188 | 259 | 155 | 170 | 220 | 195 | 348 | 120 | 478 | 3/4 | 1/2 | 16 | 50 |

DIMENSIONAL DRAWINGS

ESTRO FU

LEGEND

| | |
|------------|---|
| 1 | Usable space for plumbing connections |
| 2 | Slots for installation on the wall |
| 3 | Usable space for electrical connections |
| 4 | Standard heat exchanger water connections |
| 4DF | DF 1-row DF additional heat exchanger water connections |
| 5 | Condensate drainage vertical installation |
| 8 | Condensate drainage horizontal installation |



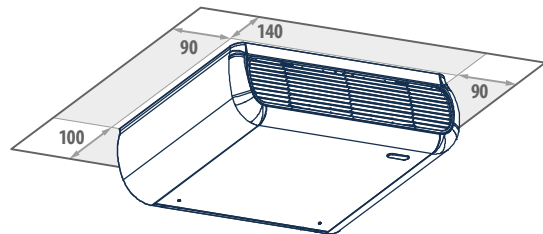
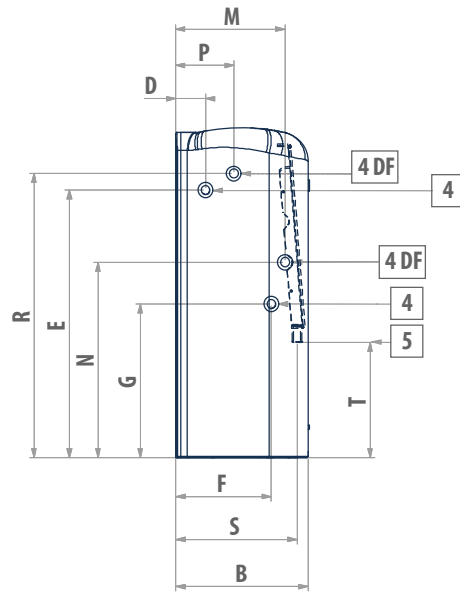
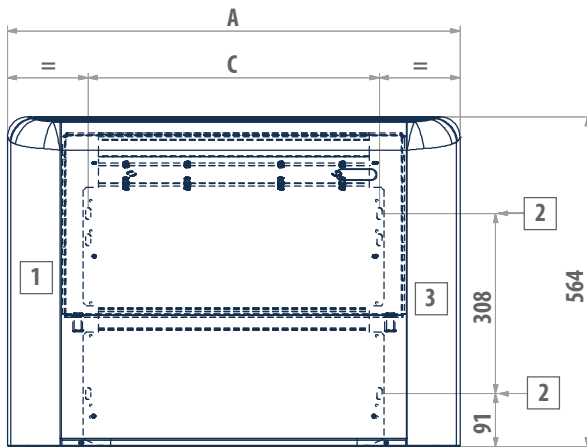
| ESTRO FU | 1 | 2 | 3 | 4 | 4M | 5 | 6 | 6M | 7 | 7M | 8 | 8M | 9 | 9M | 9S | 10 | 10M | 11 | 11M | 12 | |
|-------------------------------------|---|---|---|---|----|---|---|----|---|----|---|----|---|----|----|----|-----|----|-----|----|---|
| ON/OFF motor (3 speed) | x | x | x | x | x | x | x | x | x | x | x | x | x | x | x | x | x | x | x | x | x |
| ON/OFF motor (6 speed) | x | - | x | x | x | x | x | x | x | x | x | x | x | x | x | - | - | - | - | - | - |
| Inverter-controlled motor | x | - | x | x | x | x | x | x | x | - | x | - | x | x | x | - | - | x | x | - | - |
| GreenTech inverter-controlled motor | x | - | x | x | x | x | x | x | x | - | x | - | x | x | - | - | - | - | - | - | - |

x = available

| ESTRO FU | A | B | C | D | E | F | G | H | L | M | N | P | R | S | T | Z | 4 | |
|---------------------------------|------|-----|------|----|-----|-----|-----|-----|-----|-----|-----|-----|-----|-----|-----|-----|-----|----|
| | mm | mm | mm | mm | mm | mm | mm | mm | mm | mm | mm | mm | mm | mm | mm | mm | " | kg |
| 1 - 2 - 3 - 4 - 4M | 774 | 226 | 498 | 51 | 458 | 163 | 263 | 149 | 198 | 187 | 335 | 99 | 486 | 208 | 198 | 246 | 1/2 | 22 |
| 5 - 6 - 6M | 984 | 226 | 708 | 51 | 458 | 163 | 263 | 149 | 198 | 187 | 335 | 99 | 486 | 208 | 198 | 246 | 1/2 | 29 |
| 7 - 7M - 8 - 8M - 9 - 9M | 1194 | 226 | 918 | 51 | 458 | 163 | 263 | 149 | 198 | 187 | 335 | 99 | 486 | 208 | 198 | 246 | 1/2 | 35 |
| 9S | 1194 | 251 | 918 | 48 | 497 | 185 | 259 | 155 | 220 | 195 | 348 | 120 | 478 | 234 | 208 | 271 | 3/4 | 36 |
| 10 - 10M - 11 - 11M | 1404 | 251 | 1128 | 48 | 497 | 185 | 259 | 155 | 220 | 195 | 348 | 120 | 478 | 234 | 208 | 271 | 3/4 | 45 |
| 12 | 1614 | 251 | 1338 | 48 | 497 | 185 | 259 | 155 | 220 | 195 | 348 | 120 | 478 | 234 | 208 | 271 | 3/4 | 55 |

DIMENSIONAL DRAWINGS

ESTRO FP




LEGEND

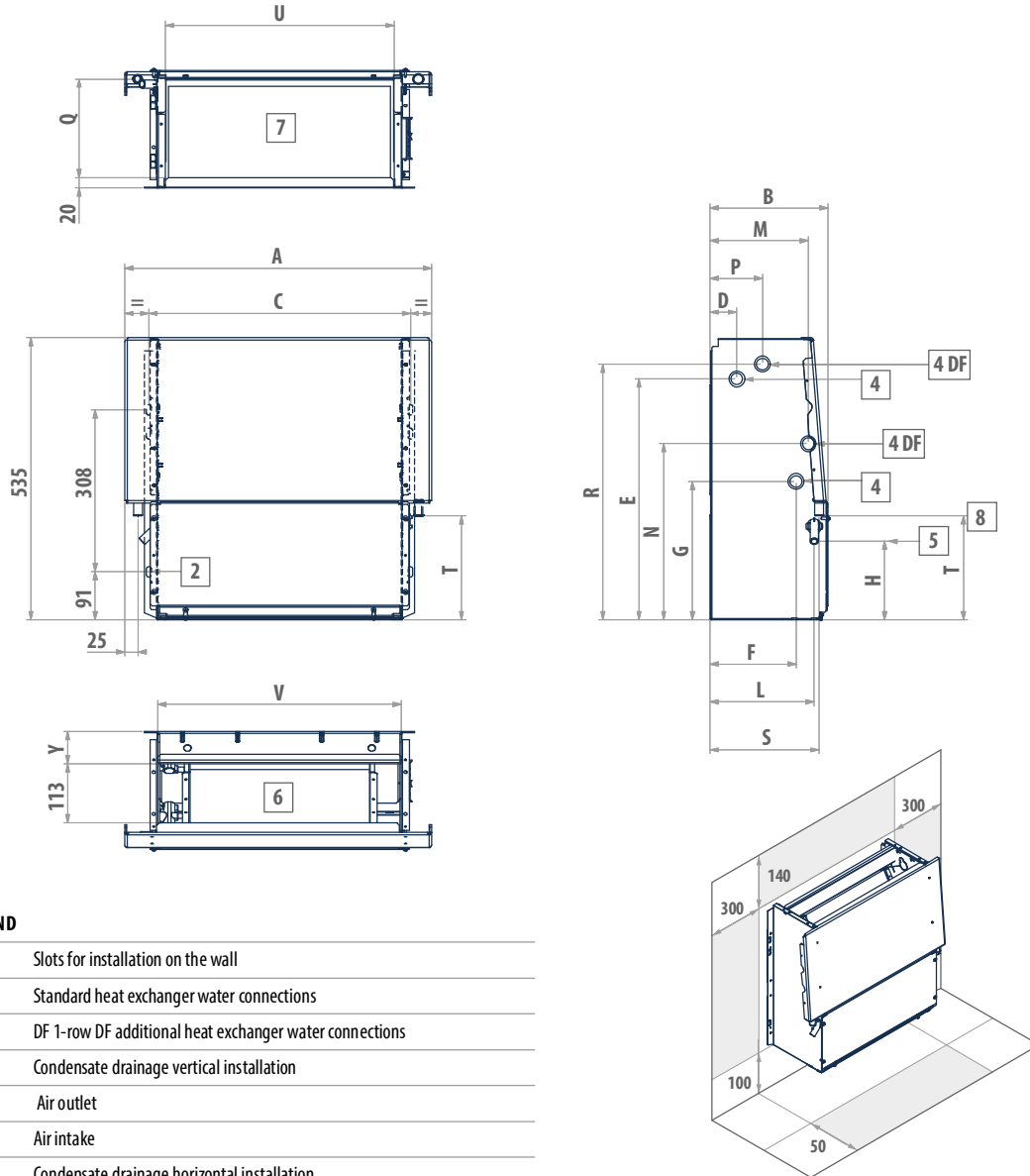
| | |
|-----|---|
| 1 | Usable space for plumbing connections |
| 2 | Slots for installation on the wall |
| 3 | Usable space for electrical connections |
| 4 | Standard heat exchanger water connections |
| 4DF | DF 1-row DF additional heat exchanger water connections |
| 5 | Condensate drainage |

| ESTRO FP | 1 | 2 | 3 | 4 | 4M | 5 | 6 | 6M | 7 | 7M | 8 | 8M | 9 | 9M | 95 | 10 | 10M | 11 | 11M | 12 | |
|-------------------------------------|---|---|---|---|----|---|---|----|---|----|---|----|---|----|----|----|-----|----|-----|----|---|
| ON/OFF motor (3 speed) | x | x | x | x | x | x | x | x | x | x | x | x | x | x | x | x | x | x | x | x | x |
| ON/OFF motor (6 speed) | x | - | x | x | x | x | x | x | x | x | x | x | x | x | x | - | - | - | - | - | - |
| Inverter-controlled motor | x | - | x | x | x | x | x | x | x | - | x | - | x | x | x | - | - | x | x | - | |
| GreenTech inverter-controlled motor | x | - | x | x | x | x | x | x | x | - | x | - | x | x | - | - | - | - | - | - | |

x = available

| ESTRO | A | B | C | D | E | F | G | M | N | P | R | S | T | 4 | 4DF | 5 |  |
|---------------------------------|------|-----|------|----|-----|-----|-----|-----|-----|-----|-----|-----|-----|-----|-----|----|---|
| | mm | mm | mm | mm | mm | mm | mm | mm | mm | mm | mm | mm | mm | " | " | mm | kg |
| 1 - 2 - 3 - 4 - 4M | 774 | 226 | 498 | 51 | 458 | 163 | 263 | 187 | 335 | 99 | 486 | 208 | 198 | 1/2 | 1/2 | 16 | 22 |
| 5 - 6 - 6M | 984 | 226 | 708 | 51 | 458 | 163 | 263 | 187 | 335 | 99 | 486 | 208 | 198 | 1/2 | 1/2 | 16 | 29 |
| 7 - 7M - 8 - 8M - 9 - 9M | 1194 | 226 | 918 | 51 | 458 | 163 | 263 | 187 | 335 | 99 | 486 | 208 | 198 | 1/2 | 1/2 | 16 | 35 |
| 95 | 1194 | 251 | 918 | 48 | 497 | 185 | 259 | 195 | 348 | 120 | 478 | 234 | 208 | 3/4 | 1/2 | 16 | 36 |
| 10 - 10M - 11 - 11M | 1404 | 251 | 1128 | 48 | 497 | 185 | 259 | 195 | 348 | 120 | 478 | 234 | 208 | 3/4 | 1/2 | 16 | 45 |
| 12 | 1614 | 251 | 1338 | 48 | 497 | 185 | 259 | 195 | 348 | 120 | 478 | 234 | 208 | 3/4 | 1/2 | 16 | 55 |

DIMENSIONAL DRAWINGS

ESTRO FC

LEGEND

| | |
|-----|---|
| 2 | Slots for installation on the wall |
| 4 | Standard heat exchanger water connections |
| 4DF | DF 1-row DF additional heat exchanger water connections |
| 5 | Condensate drainage vertical installation |
| 6 | Air outlet |
| 7 | Air intake |
| 8 | Condensate drainage horizontal installation |

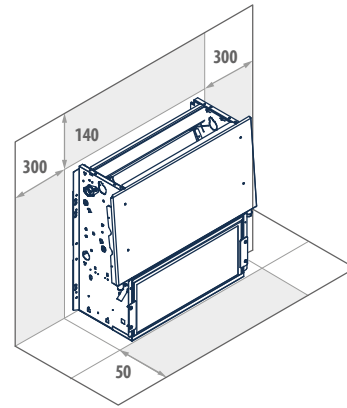
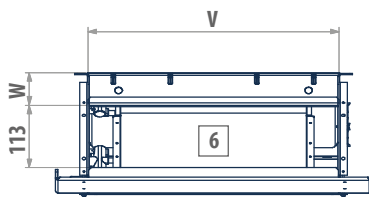
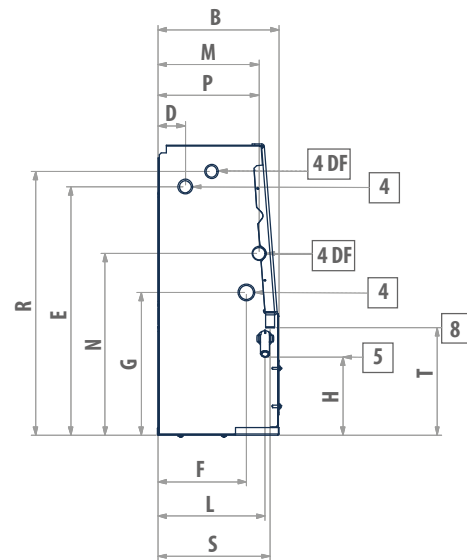
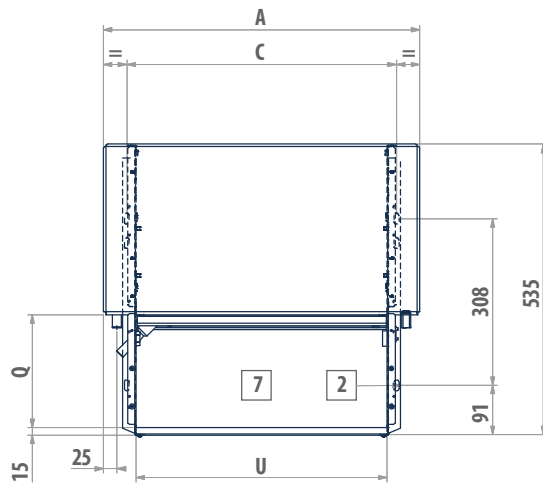
| ESTRO FC | 1 | 2 | 3 | 4 | 4M | 5 | 6 | 6M | 7 | 7M | 8 | 8M | 9 | 9M | 95 | 10 | 10M | 11 | 11M | 12 | |
|-------------------------------------|---|---|---|---|----|---|---|----|---|----|---|----|---|----|----|----|-----|----|-----|----|---|
| ON/OFF motor (3 speed) | x | x | x | x | x | x | x | x | x | x | x | x | x | x | x | x | x | x | x | x | x |
| ON/OFF motor (6 speed) | x | - | x | x | x | x | x | x | x | x | x | x | x | x | x | - | - | - | - | - | - |
| Inverter-controlled motor | x | - | x | x | x | x | x | x | x | - | x | - | x | x | x | - | - | x | x | x | x |
| GreenTech inverter-controlled motor | x | - | x | x | x | x | x | x | x | - | x | - | x | x | - | - | - | - | - | - | x |

x = available

| ESTRO | A | B | C | D | E | F | G | H | L | M | N | P | Q | R | S | T | U | V | Y | 4 | | |
|---------------------------------|------|-----|------|----|-----|-----|-----|-----|-----|-----|-----|-----|-----|-----|-----|-----|------|------|----|-----|----|----|
| | mm | mm | mm | mm | mm | mm | mm | mm | mm | mm | mm | mm | mm | mm | mm | mm | mm | mm | mm | mm | " | kg |
| 1 - 2 - 3 - 4 - 4M | 584 | 224 | 498 | 51 | 458 | 163 | 263 | 149 | 198 | 187 | 335 | 99 | 189 | 486 | 208 | 198 | 436 | 464 | 61 | 1/2 | 18 | |
| 5 - 6 - 6M | 794 | 224 | 708 | 51 | 458 | 163 | 263 | 149 | 198 | 187 | 335 | 99 | 189 | 486 | 208 | 198 | 646 | 674 | 61 | 1/2 | 23 | |
| 7 - 7M - 8 - 8M - 9 - 9M | 1004 | 224 | 918 | 51 | 458 | 163 | 263 | 149 | 198 | 187 | 335 | 99 | 189 | 486 | 208 | 198 | 856 | 884 | 61 | 1/2 | 27 | |
| 95 | 1004 | 249 | 918 | 48 | 497 | 185 | 259 | 155 | 220 | 195 | 348 | 120 | 215 | 478 | 234 | 208 | 856 | 884 | 67 | 3/4 | 27 | |
| 10 - 10M - 11 - 11M | 1214 | 249 | 1128 | 48 | 497 | 185 | 259 | 155 | 220 | 195 | 348 | 120 | 215 | 478 | 234 | 208 | 1066 | 1094 | 67 | 3/4 | 37 | |
| 12 | 1424 | 249 | 1338 | 48 | 497 | 185 | 259 | 155 | 220 | 195 | 348 | 120 | 215 | 478 | 234 | 208 | 1276 | 1304 | 67 | 3/4 | 43 | |

DIMENSIONAL DRAWINGS

ESTRO FF



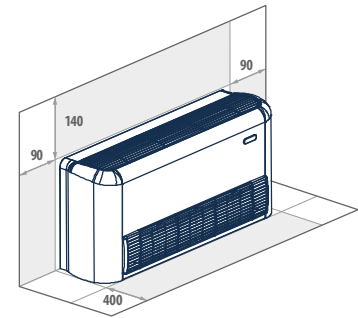
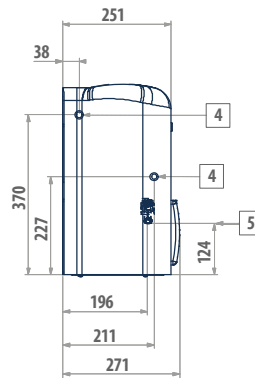
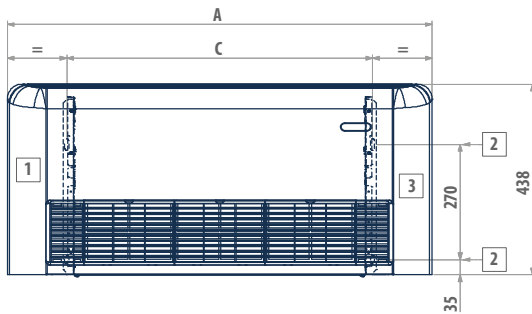
LEGEND

| | |
|-----|---|
| 2 | Slots for installation on the wall |
| 4 | Standard heat exchanger water connections |
| 4DF | DF 1-row DF additional heat exchanger water connections |
| 5 | Condensate drainage vertical installation |
| 6 | Air outlet |
| 7 | Air intake |
| 8 | Condensate drainage horizontal installation |

| ESTRO FF | 1 | 2 | 3 | 4 | 4M | 5 | 6 | 6M | 7 | 7M | 8 | 8M | 9 | 9M | 95 | 10 | 10M | 11 | 11M | 12 | |
|-------------------------------------|---|---|---|---|----|---|---|----|---|----|---|----|---|----|----|----|-----|----|-----|----|---|
| ON/OFF motor (3 speed) | x | x | x | x | x | x | x | x | x | x | x | x | x | x | x | x | x | x | x | x | x |
| ON/OFF motor (6 speed) | x | - | x | x | x | x | x | x | x | x | x | x | x | x | x | - | - | - | - | - | - |
| Inverter-controlled motor | x | - | x | x | x | x | x | x | x | - | x | - | x | x | - | - | - | x | x | - | - |
| GreenTech inverter-controlled motor | x | - | x | x | x | x | x | x | x | - | x | - | x | x | - | - | - | - | - | - | - |

x = available

| ESTRO | A | B | C | D | E | F | G | H | L | M | N | P | Q | R | S | T | U | V | W | 4 | |
|-----------------------|------|-----|------|----|-----|-----|-----|-----|-----|-----|-----|-----|-----|-----|-----|-----|------|------|----|-----|----|
| | mm | mm | mm | mm | mm | mm | mm | mm | mm | mm | mm | mm | mm | mm | mm | mm | mm | mm | mm | " | kg |
| 1-2-3-4-4M | 584 | 224 | 498 | 51 | 458 | 163 | 263 | 149 | 198 | 187 | 335 | 99 | 189 | 486 | 208 | 198 | 436 | 464 | 61 | 1/2 | 18 |
| 5-6-6M | 794 | 224 | 708 | 51 | 458 | 163 | 263 | 149 | 198 | 187 | 335 | 99 | 189 | 486 | 208 | 198 | 646 | 674 | 61 | 1/2 | 23 |
| 7-7M-8-8M-9-9M | 1004 | 224 | 918 | 51 | 458 | 163 | 263 | 149 | 198 | 187 | 335 | 99 | 189 | 486 | 208 | 198 | 856 | 884 | 61 | 1/2 | 27 |
| 95 | 1004 | 249 | 918 | 48 | 497 | 185 | 259 | 155 | 220 | 195 | 348 | 120 | 215 | 478 | 234 | 208 | 856 | 884 | 67 | 3/4 | 27 |
| 10-10M-11-11M | 1214 | 249 | 1128 | 48 | 497 | 185 | 259 | 155 | 220 | 195 | 348 | 120 | 215 | 478 | 234 | 208 | 1066 | 1094 | 67 | 3/4 | 37 |
| 12 | 1424 | 249 | 1338 | 48 | 497 | 185 | 259 | 155 | 220 | 195 | 348 | 120 | 215 | 478 | 234 | 208 | 1276 | 1304 | 67 | 3/4 | 43 |

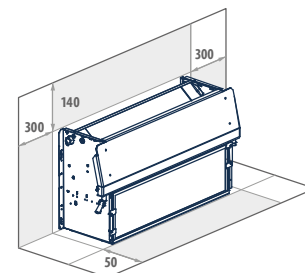
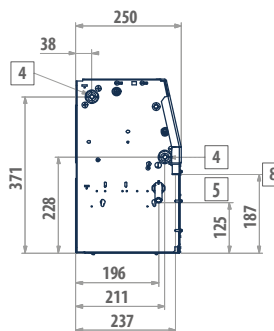
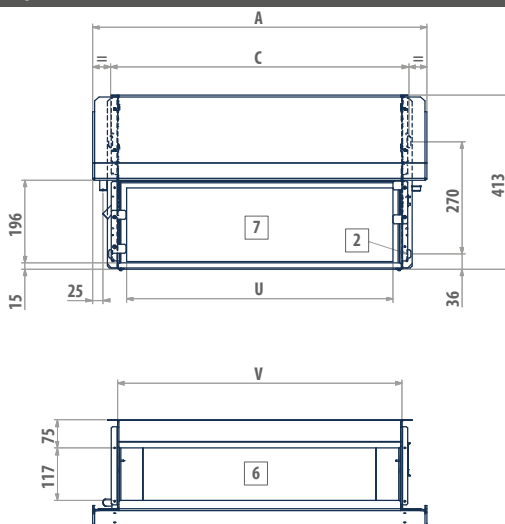
DIMENSIONAL DRAWINGS
ESTRO FB

LEGEND

- 1 Usable space for plumbing connections
- 2 Slots for installation on the wall
- 3 Usable space for electrical connections
- 4 Standard heat exchanger water connections
- 5 Condensate drainage

| ESTRO FB | 1 | 2 | 3 | 4 | 5 | 6 | 7 | 8 | 9 |
|---------------------------|---|---|---|---|---|---|---|---|---|
| ON/OFF motor (3 speed) | x | x | x | x | x | x | x | x | x |
| ON/OFF motor (6 speed) | x | - | x | x | x | x | x | x | x |
| Inverter-controlled motor | x | - | x | x | x | x | x | x | x |

x = available

| ESTRO | A mm | C mm | 4 " | 5 mm | kg |
|---------------|---------|---------|--------|---------|--------|
| 1 - 2 - 3 - 4 | 774 | 498 | 1/2 | 16 | 19 |
| 5 - 6 | 984 | 708 | 1/2 | 16 | 28 |
| 7 - 8 - 9 | 1194 | 918 | 1/2 | 16 | 29 |

ESTRO FBC

LEGEND

- 2 Slots for installation on the wall
- 4 Standard heat exchanger water connections
- 5 Condensate drainage vertical installation
- 6 Air outlet
- 7 Air intake
- 8 Condensate drainage horizontal installation

| ESTRO FBC | 1 | 2 | 3 | 4 | 5 | 6 | 7 | 8 | 9 |
|---------------------------|---|---|---|---|---|---|---|---|---|
| ON/OFF motor (3 speed) | x | x | x | x | x | x | x | x | x |
| ON/OFF motor (6 speed) | x | - | x | x | x | x | x | x | x |
| Inverter-controlled motor | x | - | x | x | x | x | x | x | x |

x = available

| ESTRO FBC | A mm | C mm | U mm | V mm | 4 " | 5 mm | kg | kg |
|-----------|---------|---------|---------|---------|--------|---------|--------|--------|
| 1 | 584 | 498 | 423 | 464 | 1/2 | 16 | 14.5 | 16 |
| 2 - 3 - 4 | 584 | 498 | 423 | 464 | 1/2 | 16 | 15.5 | 16 |
| 5 | 794 | 708 | 633 | 674 | 1/2 | 16 | 19 | 20 |
| 6 | 794 | 708 | 633 | 674 | 1/2 | 16 | 20 | 20 |
| 7 - 8 | 1004 | 918 | 843 | 884 | 1/2 | 16 | 24 | 25 |
| 9 | 1004 | 918 | 843 | 884 | 1/2 | 16 | 24.5 | 25 |