



CHRONO UNIVERSAL WC FRAME

290821
A_05/2020

**BS 1212-4
COMPLIANT**



www.wirquin.co.uk

wirquin

IMPORTANT INFORMATION - PRIOR TO INSTALLATION OF THE WC FRAME

Read the instructions carefully.

Ensure product contents are complete.

Check the product for any signs of damage

It is recommended that a technically competent installer undertakes installation.

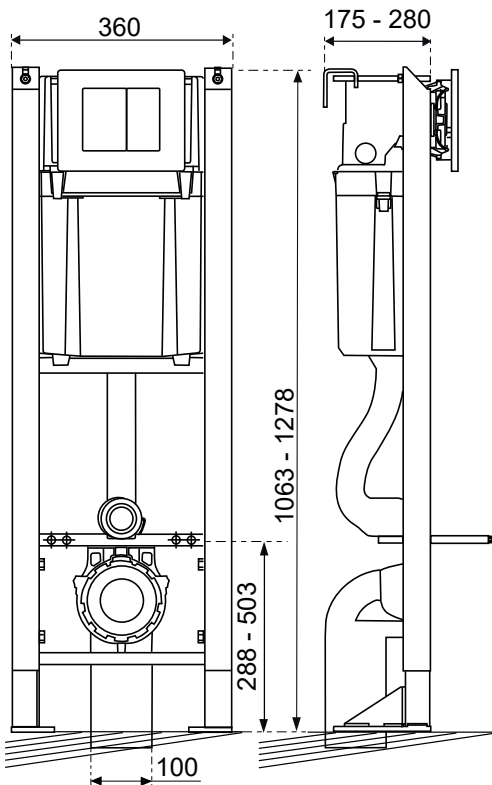
It is the installer's responsibility to carry out a thorough assessment of the installation environment (i.e. wall type/structure) and use appropriate fixings.

Care should be taken when drilling to avoid any hidden wires or pipes.

Use appropriate Personal Protective Equipment at all times when installing the product.

CLEANING

Clean push plate with warm soapy water. Do not use any bleach or detergents.

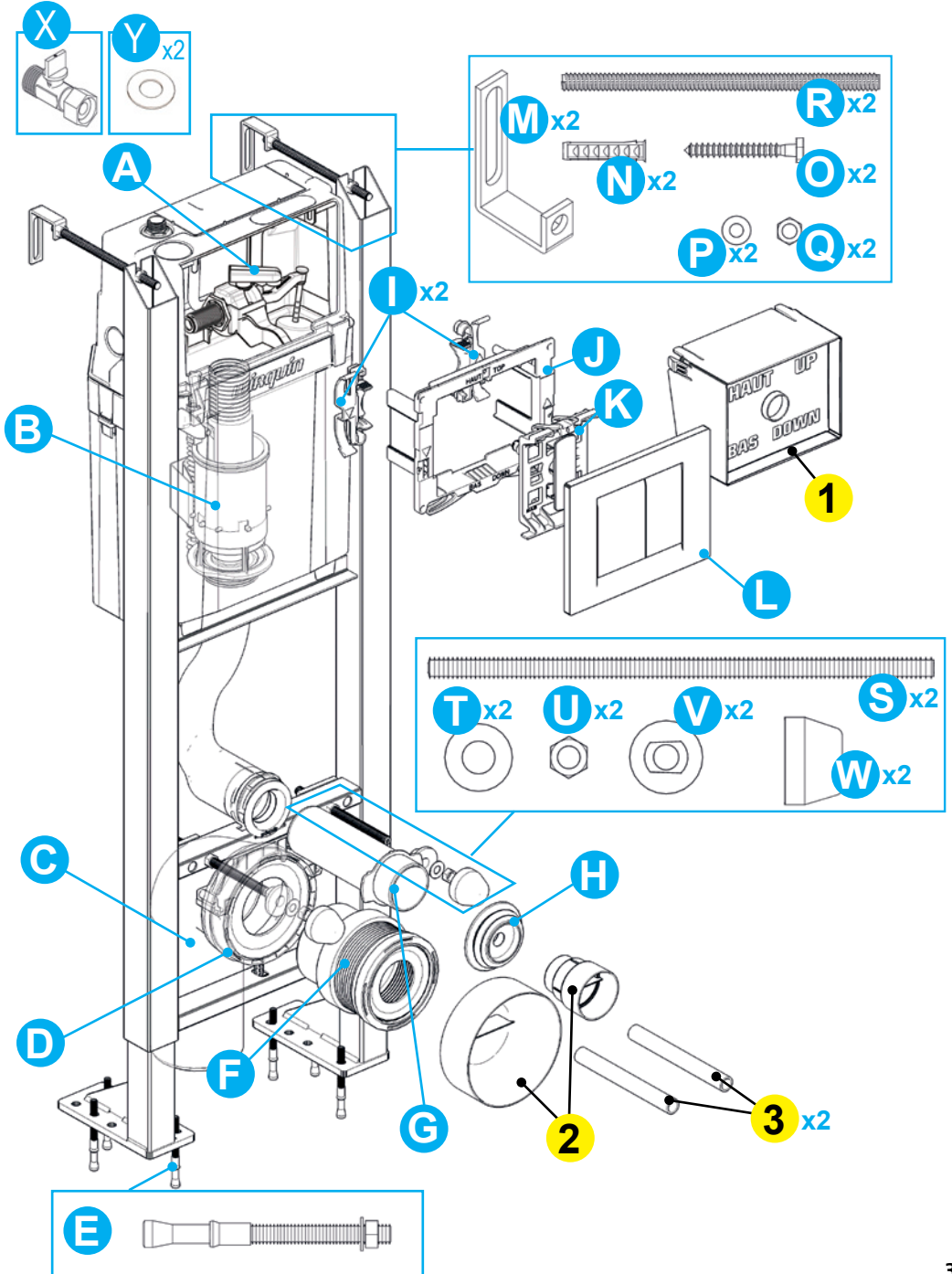


Component	Description	QTY
A	Float valve	1
B	Flush Valve	1
C	90 ° WC Pan Connector	1
D	WC Pan Connector Bracket	1
E	Floor Fixing Bolts	6
F	Flexible WC Pan Connector	1
G	Flushpipe	1
H	Flushpipe Bung	1
I	Push Plate Clips	2
J	Push Plate Bracket	1
K	Push Plate Cable Connector	1
L	Push Plate Not Supplied in qty	1
M	Wall Brackets	2
N	Wall Plugs	2
O	Wall Screws	2
P	Washers	2
Q	Nuts	6
R	Wall Fixing Threaded Bar	2
S	Pan Fixing Threaded Bar	2
T	Washers	2
U	Nuts	4
V	Pan Fixings Sleeve	2
W	Pan Fixing Cover Cap	2
X	Isolation Valve	1
Y	Isolation Valve Fibre Washers	2

For use during first fix		QTY
1	Cistern Cover	1
2	WC Pan Connector & Flushpipe Cover	1
3	Pan Fixing Threaded Bar Sleeve	2



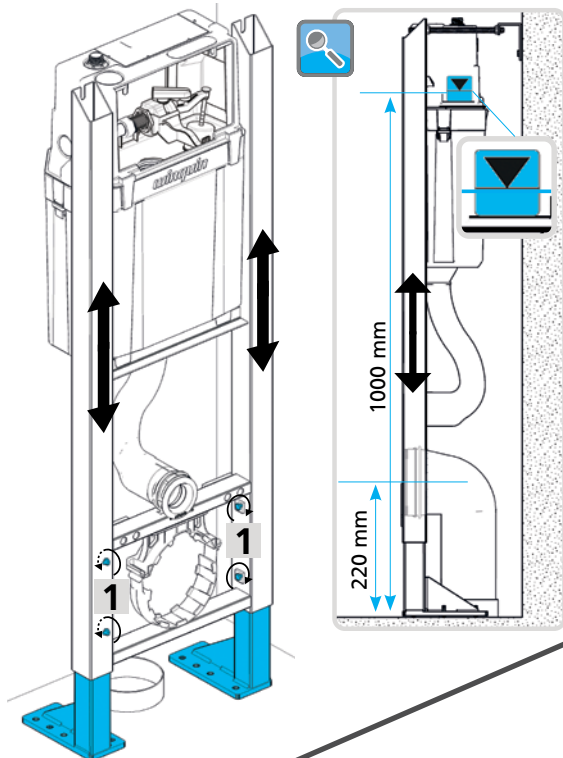
COMPONENTS



1 HEIGHT ADJUSTMENT

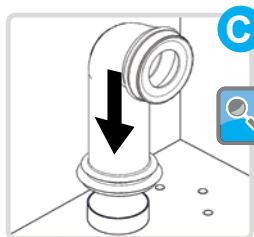
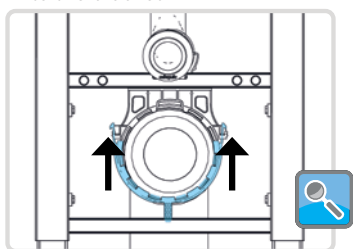
2 WC PAN CONNECTOR INSTALLATION

1

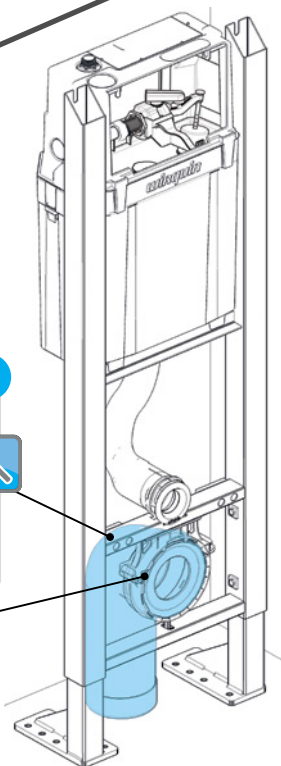


2

Secure the pan connector into the bracket

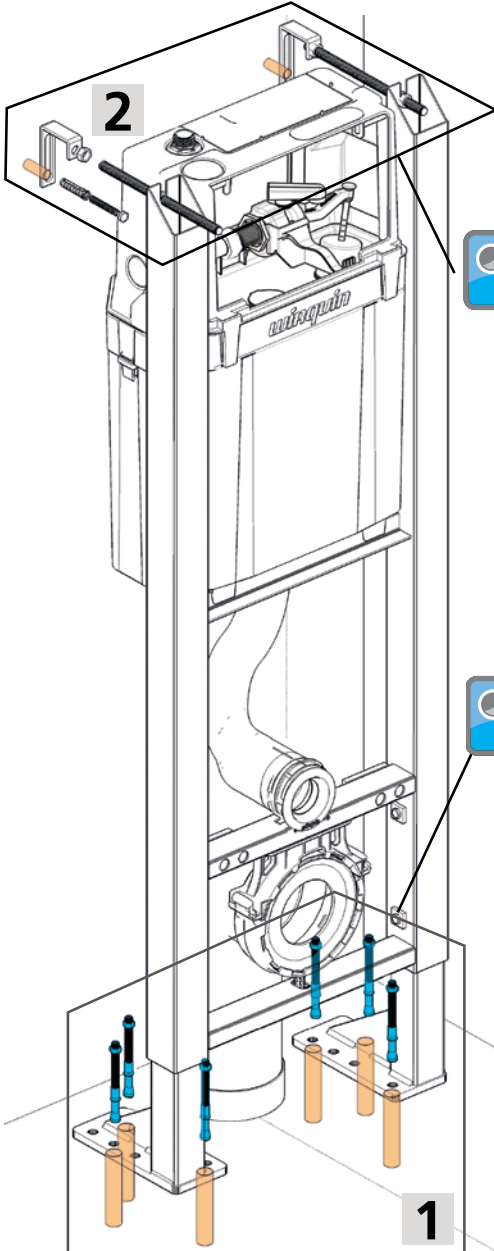
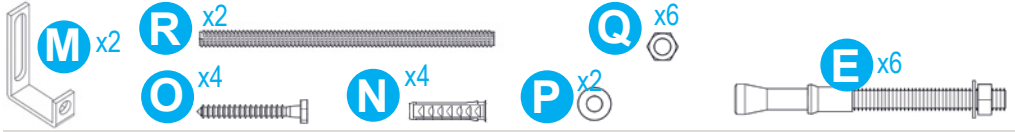


C

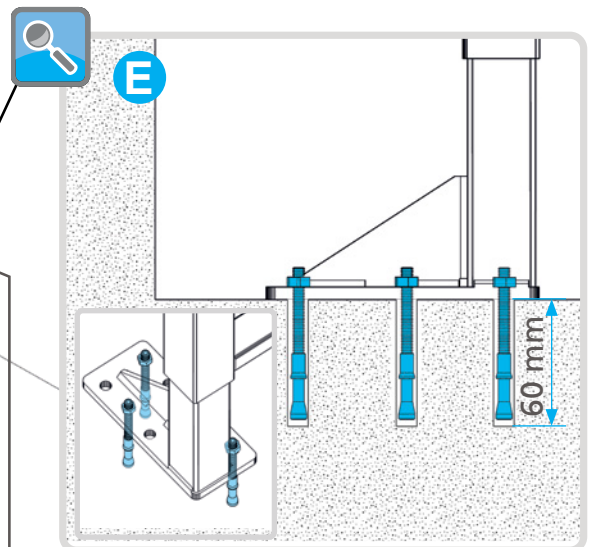
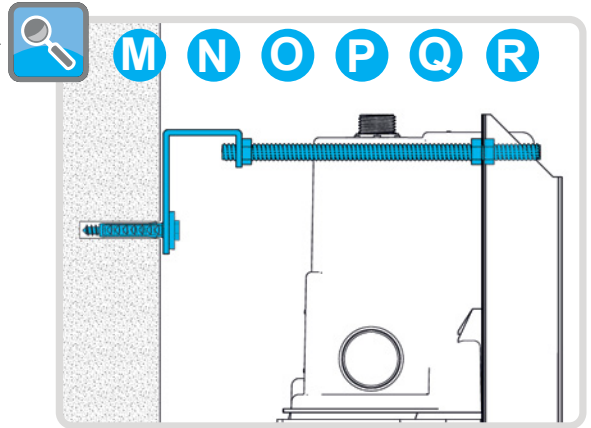


3

WALL & FLOOR FIXINGS



- 1 - Drill the hole for the feet mountings,
- 2 - Insert the drive studs **E** and tighten them with a wrench,
- 3 - Position the wall brackets and fix them to the wall. Cut the rod if required.



4

WATER FEED

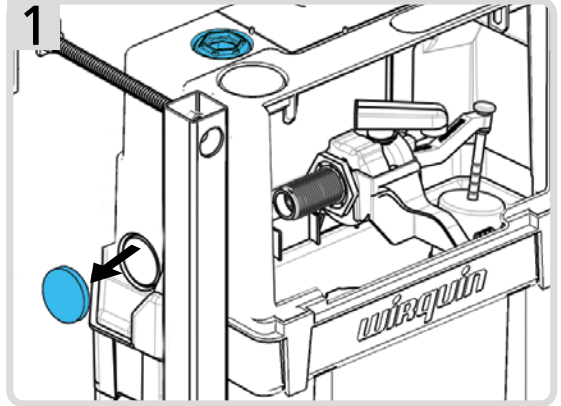
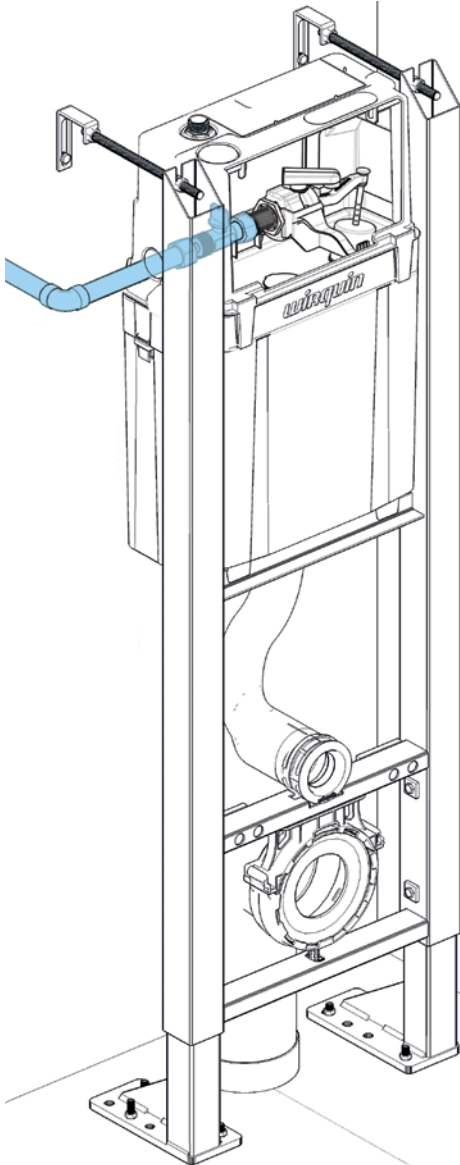
X x1



Y x2

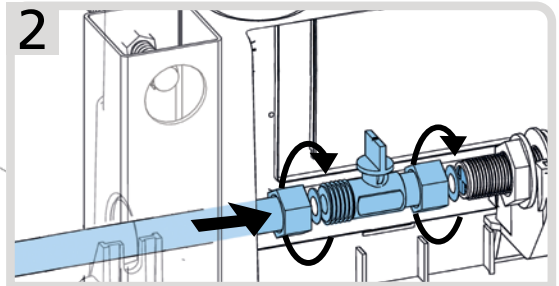
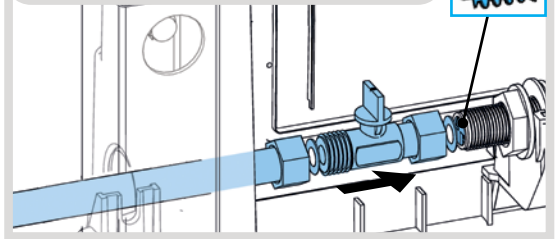


The water feed can be positioned either top, back or side



A flow restrictor is supplied and should only be fitted when the water supply is mains fed. Ensure all pipework is clear of debris before connecting the water supply.

OPTIONAL - FLOW RESTRICTOR

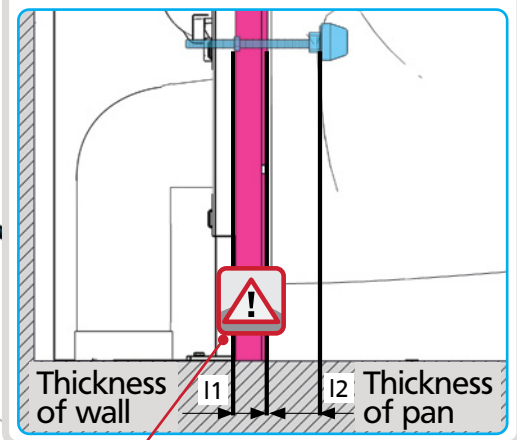
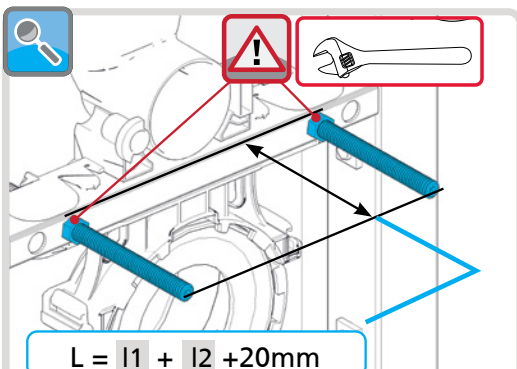
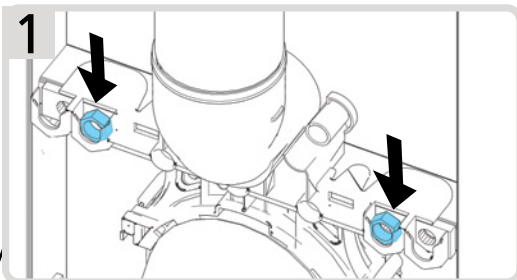
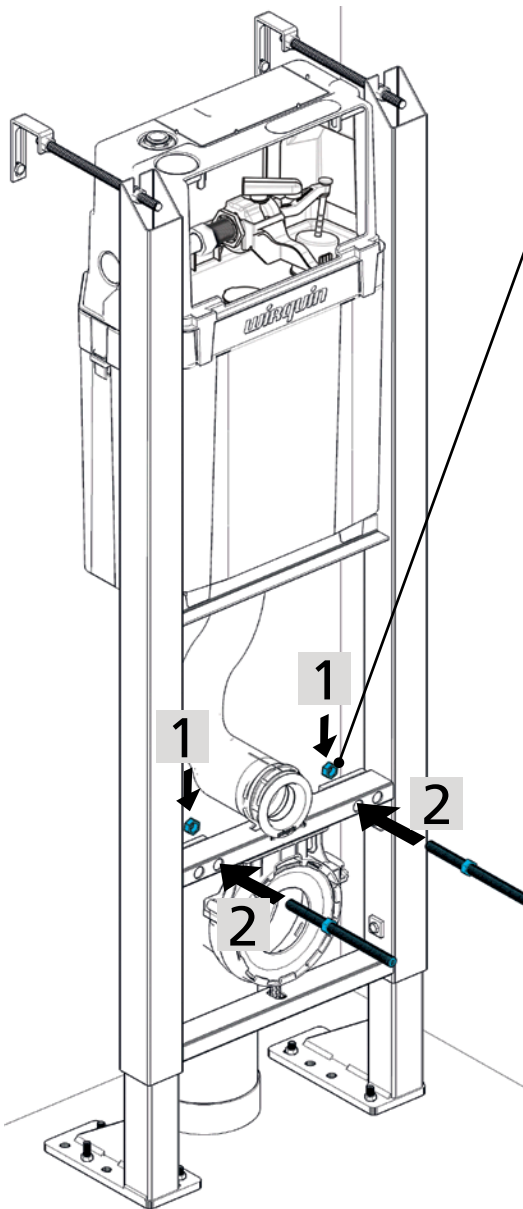


5

WC PAN FIXINGS



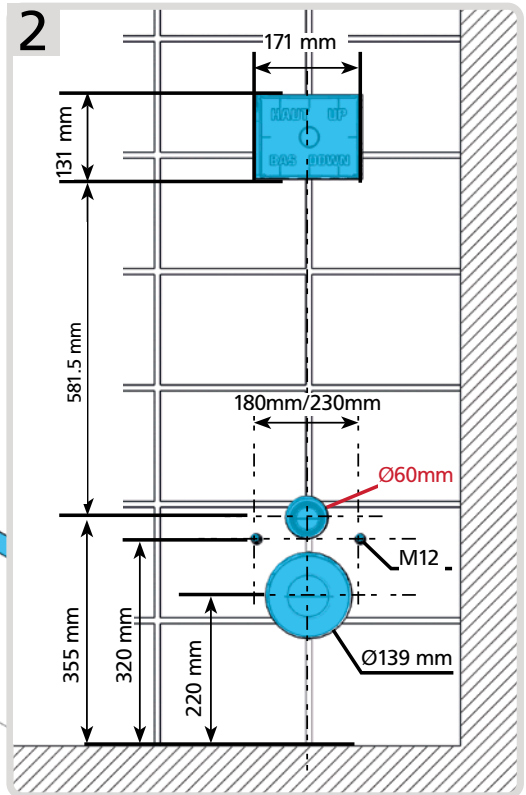
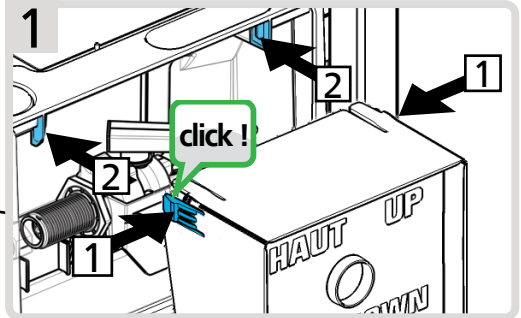
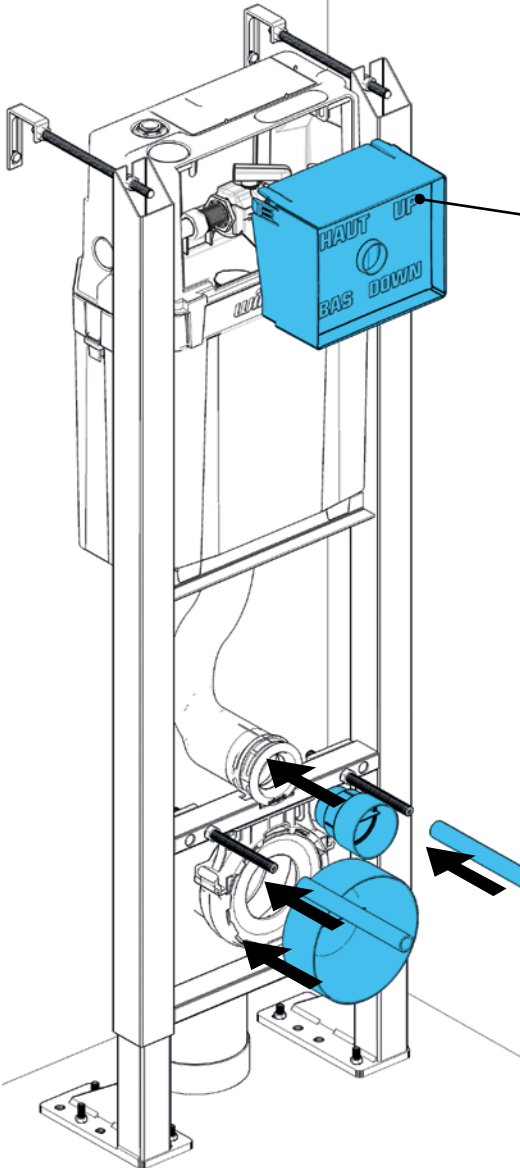
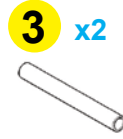
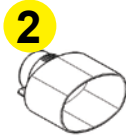
Define required wc pan centres (180mm or 230mm) by measuring the distance on the back of the pan.



WARNING
Maximum wall thickness (50mm)

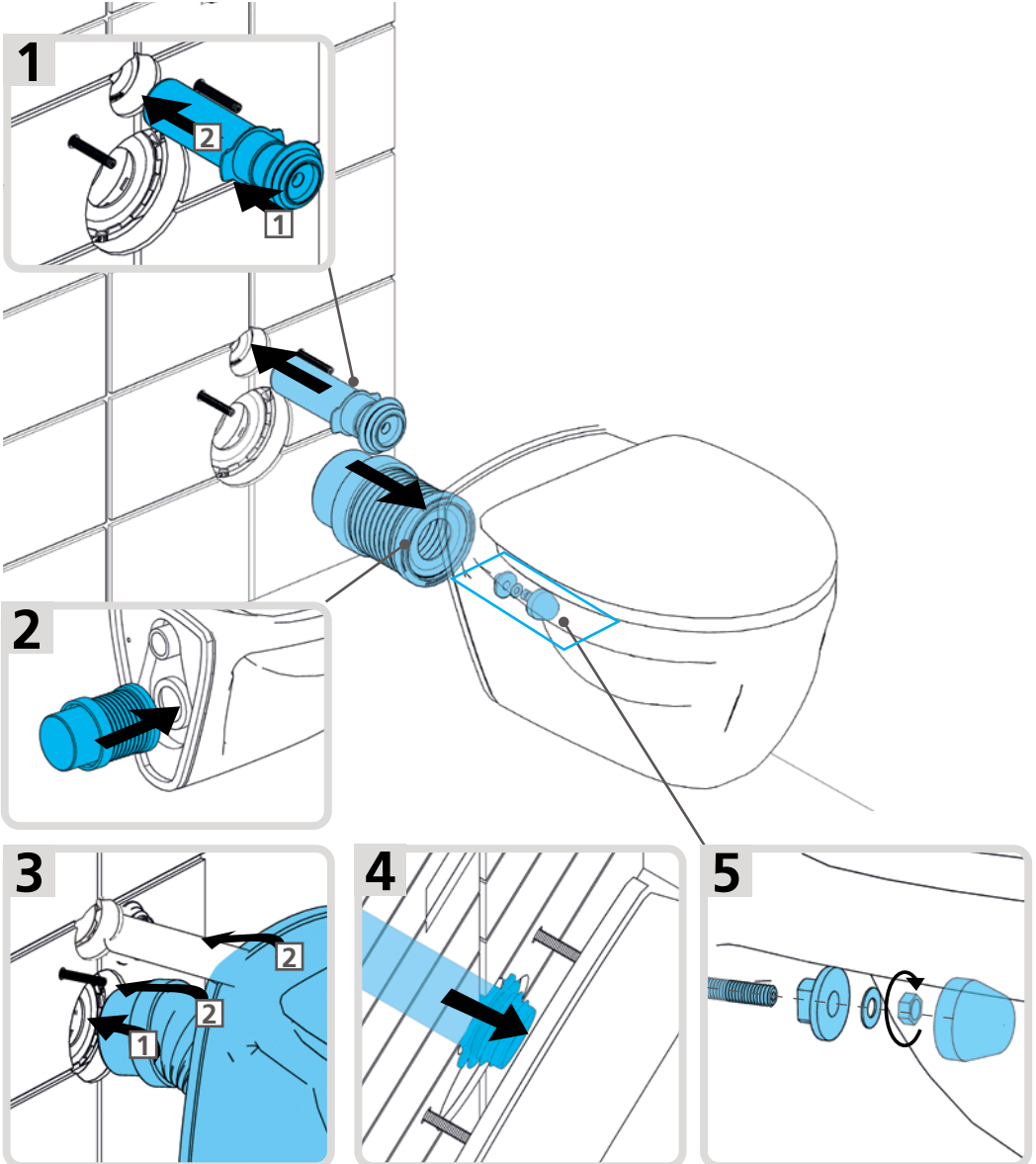
6

FIRST FIX



7

FLUSHPIPE / WC PAN CONNECTOR INSTALLATION



*: length of the sleeve 51 mm to 110 mm

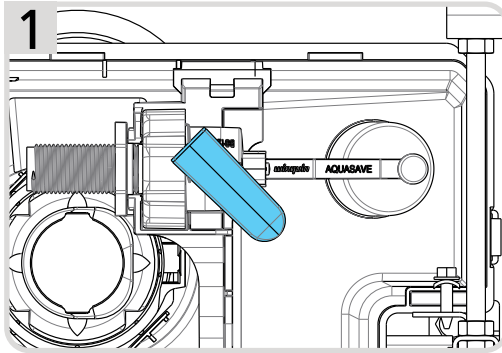
8

FINAL COMMISSIONING



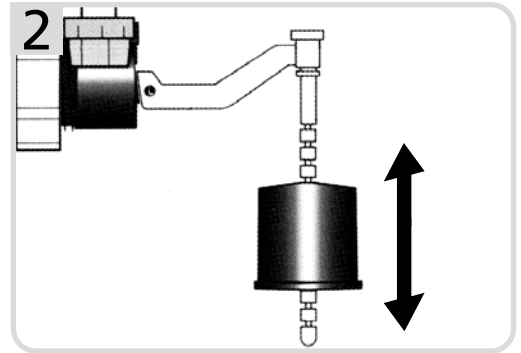
ATTENTION

Ensure the diverter is positioned to allow the discharged water a clear unobstructed passage into the cistern.



Allow the cistern to fill and check thoroughly for leaks around the toilet, cistern, water inlet, flush pipe and waste connections.

Check that the inlet valve shuts off on the water line indicated inside the cistern. If adjustment is needed, move the float up or down the notched stem as required until the inlet shuts off on the water line indicated.



Hold the inlet valve down to cause the cistern to internally overflow. Ensure that the overflow can discharge the incoming water. If necessary, reduce the incoming water flow by partially closing the isolation valve.

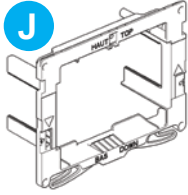
9

PUSH PLATE INSTALLATION

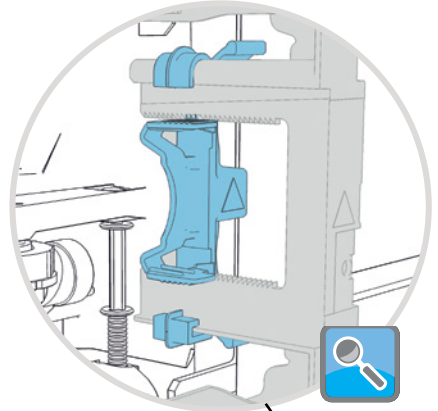
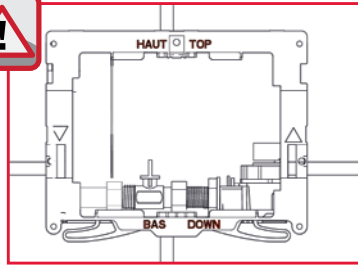
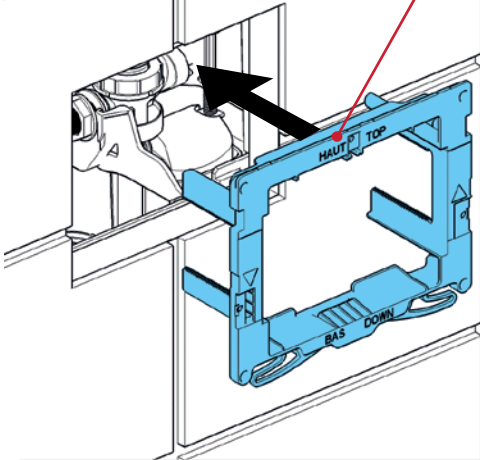
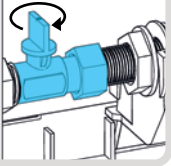
I x2



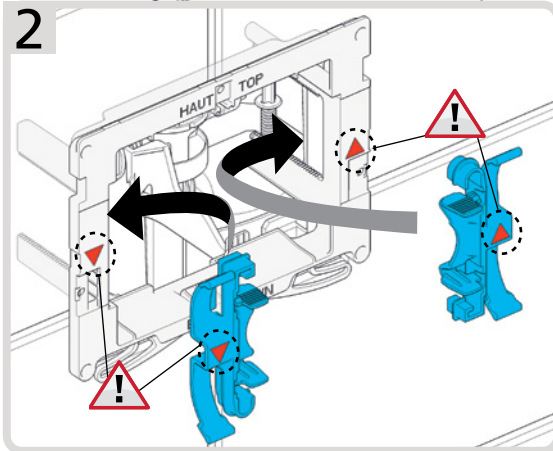
J



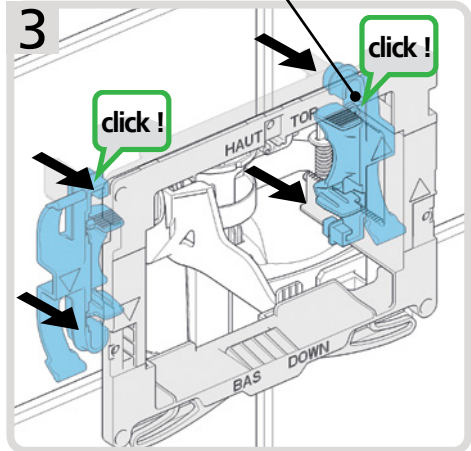
1



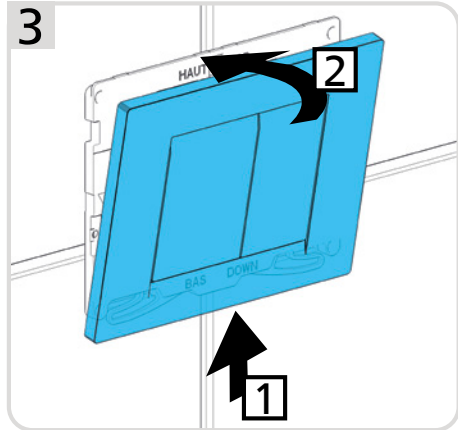
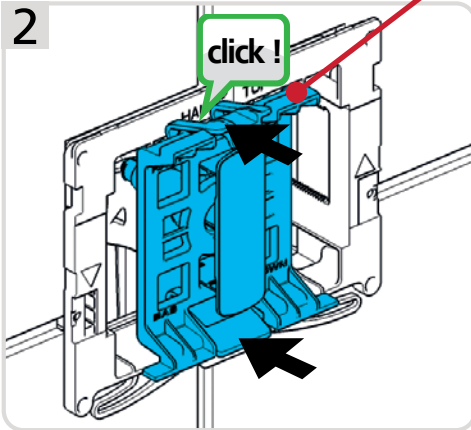
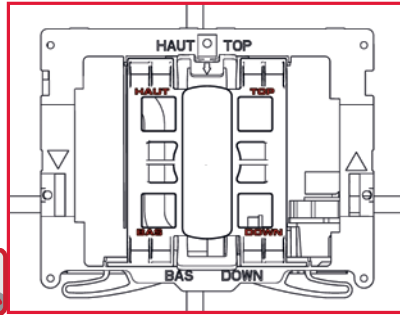
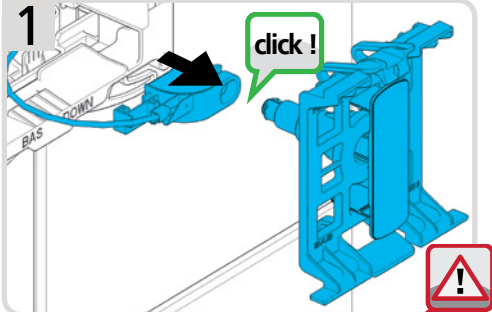
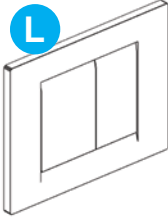
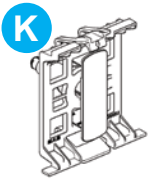
2



3



10 PUSH PLATE INSTALLATION



HELPLINE

Should you require any technical help in association with your Wirquin products, please call our customer service number 0333 222 44 88 with your query.

WARRANTY: 10 Years

For more detail on warranty information, please visit our website: www.wirquin.co.uk



WIRQUIN Ltd | Warmsworth Halt Ind Est | Warmsworth | Doncaster | DN4 9LS

www.wirquin.co.uk

wirquin