

BOLLITORE VETRIFICATO PER SOLARE TERMICO, CON 2 SCAMBIATORI FISSI

GLASSLINED DHW CYLINDER FOR SOLAR THERMAL SYSTEM, WITH DUAL FIXED HEAT EXCHANGER



- + 95°C
- + 110°C
- P_{MAX}** 10 bar
(200 ÷ 1000)
- 6 bar
(1500 ÷ 2000)
- P_{SCA}** 12 bar



MOD	COD		SERP 1		SERP 2			
			m ²	LITRI	M ²	LITRI		
BST-200	A3E0L47 PGP40	200	0,70	5	0,50	4	600	1170
BST-300	A3E0L51 PGP40	300	1,20	8	0,75	5	650	1395
BST-400	A3E0L53 PGP40	400	1,40	9	0,90	6	750	1445
BST-500	A3E0L55 PGP40	500	1,80	12	0,90	6	750	1695
BST-800	A3E0L60 PGP40	800	2,00	13	1,20	8	900	1795
BST-1000	A3E0L62 PGP40	1000	2,40	15	1,20	8	900	2045
BST-800+FL.	A3E1L60 SWS50	800	2,00	13	1,20	8	900	1795
BST-1000+FL.	A3E1L62 SWS50	1000	2,40	15	1,20	8	900	2045
BST-1500+FL.	A3E1H67 VW050	1500	3,60	36	1,60	16	1100	2465
BST-2000+FL.	A3E1H70 VW050	2000	4,30	43	2,10	21	1200	2445

MOD	A	C	D	F	G	I	M	N	O	P	Q	S
	mm	mm	mm	mm	mm	mm	mm	mm	mm	mm	mm	mm
BST-200	235	585	680	930	235	350	635	760	935	250	220	935
BST-300	255	710	815	1085	255	405	760	950	1165	270	240	1155
BST-400	280	685	805	1075	280	470	745	940	1190	295	265	1170
BST-500	280	820	980	1250	280	495	905	1115	1430	295	265	1420
BST-800	450	910	1060	1330	340	610	985	1195	1470	365	320	1470
BST-1000	450	1045	1280	1550	340	610	1180	1415	1720	365	320	1720
BST-800+FL.	450	910	1060	1330	340	610	985	1195	1470	435	320	1470
BST-1000+FL.	450	1045	1280	1550	340	610	1180	1415	1720	435	320	1720
BST-1500+FL.	545	1345	1645	1995	455	-	1565	1795	2035	550	80	2035
BST-2000+FL.	515	1405	1605	2025	445	-	1565	1785	2025	540	80	2025

MOD	ANODO Ø x Øatt. x L	DN													
		1	2	3	4	5	6	7	8	9	10	11	12	13	14
BST-200	32 x 1.1/4" x 350	1"	1"	1"	1"	1"	1"	2"	1.1/2"	3/4"	1/2"	1/2"	1.1/4"	1.1/4"	1/2"
BST-300	32 x 1.1/4" x 550	1"	1"	1"	1"	1"	1"	2"	1.1/2"	3/4"	1/2"	1/2"	1.1/4"	1.1/4"	1/2"
BST-400	32 x 1.1/4" x 550	1"	1"	1"	1"	1"	1"	2"	1.1/2"	3/4"	1/2"	1/2"	1.1/4"	1.1/4"	1/2"
BST-500	32 x 1.1/4" x 700	1"	1"	1"	1"	1"	1"	2"	1.1/2"	3/4"	1/2"	1/2"	1.1/4"	1.1/4"	1/2"
BST-800	32 x 1.1/4" x 700	1"	1"	1"	1"	1.1/4"	1.1/4"	2"	1.1/2"	1.1/4"	1/2"	1/2"	1.1/4"	1.1/4"	3/4"
BST-1000	32 x 1.1/4" x 700	1"	1"	1"	1"	1.1/4"	1.1/4"	2"	1.1/2"	1.1/4"	1/2"	1/2"	1.1/4"	1.1/4"	3/4"
BST-800+FL.	32 x 1.1/4" x 700	1"	1"	1"	1"	1.1/4"	1.1/4"	Øi 220	1.1/2"	1.1/4"	1/2"	1/2"	1.1/4"	1.1/4"	3/4"
BST-1000+FL.	32 x 1.1/4" x 700	1"	1"	1"	1"	1.1/4"	1.1/4"	Øi 220	1.1/2"	1.1/4"	1/2"	1/2"	1.1/4"	1.1/4"	3/4"
BST-1500+FL.*	32 x 1.1/4" x 670	1"	1"	1"	1"	1.1/4"	1.1/4"	Øi 220	1.1/2"	1.1/4"	1/2"	1/2"	1.1/4"	1.1/4"	3/4"
BST-2000+FL.*	32 x 1.1/4" x 670	1"	1"	1"	1"	1.1/4"	1.1/4"	Øi 220	1.1/2"	1.1/4"	1/2"	1/2"	1.1/4"	1.1/4"	3/4"

*2 Anodi - *2 Anodes

MOD	B mm	E mm	L mm	R mm	DN 15
BST-1500+FL.	750	1820	1445	895	1.1/4"
BST-2000+FL.	740	1780	1455	885	1.1/4"

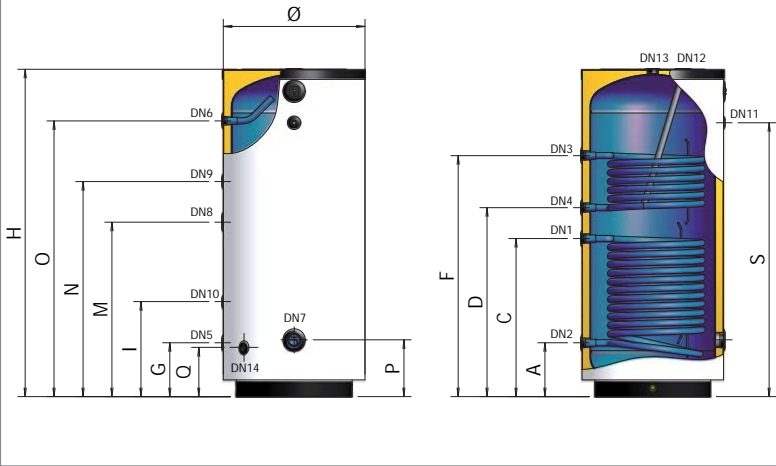


(200 ÷ 1000) *2 x (1500 ÷ 2000)

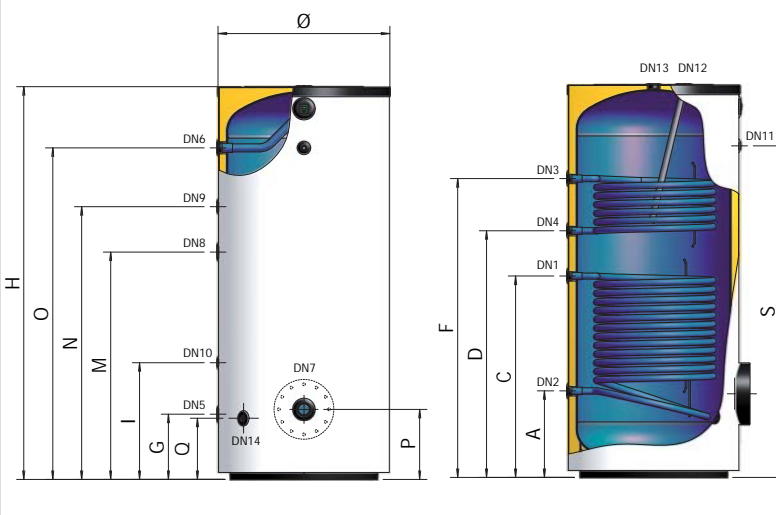


BST

BST 200 - 300 - 400 - 500



BST 800 - 1000



BST 1500 - 2000

